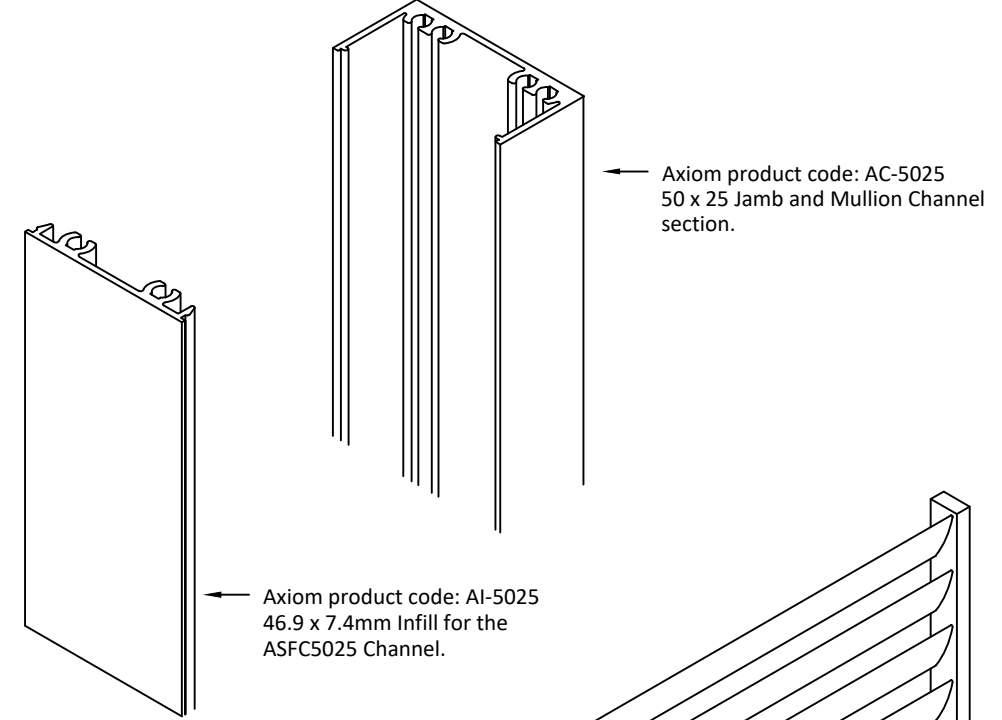
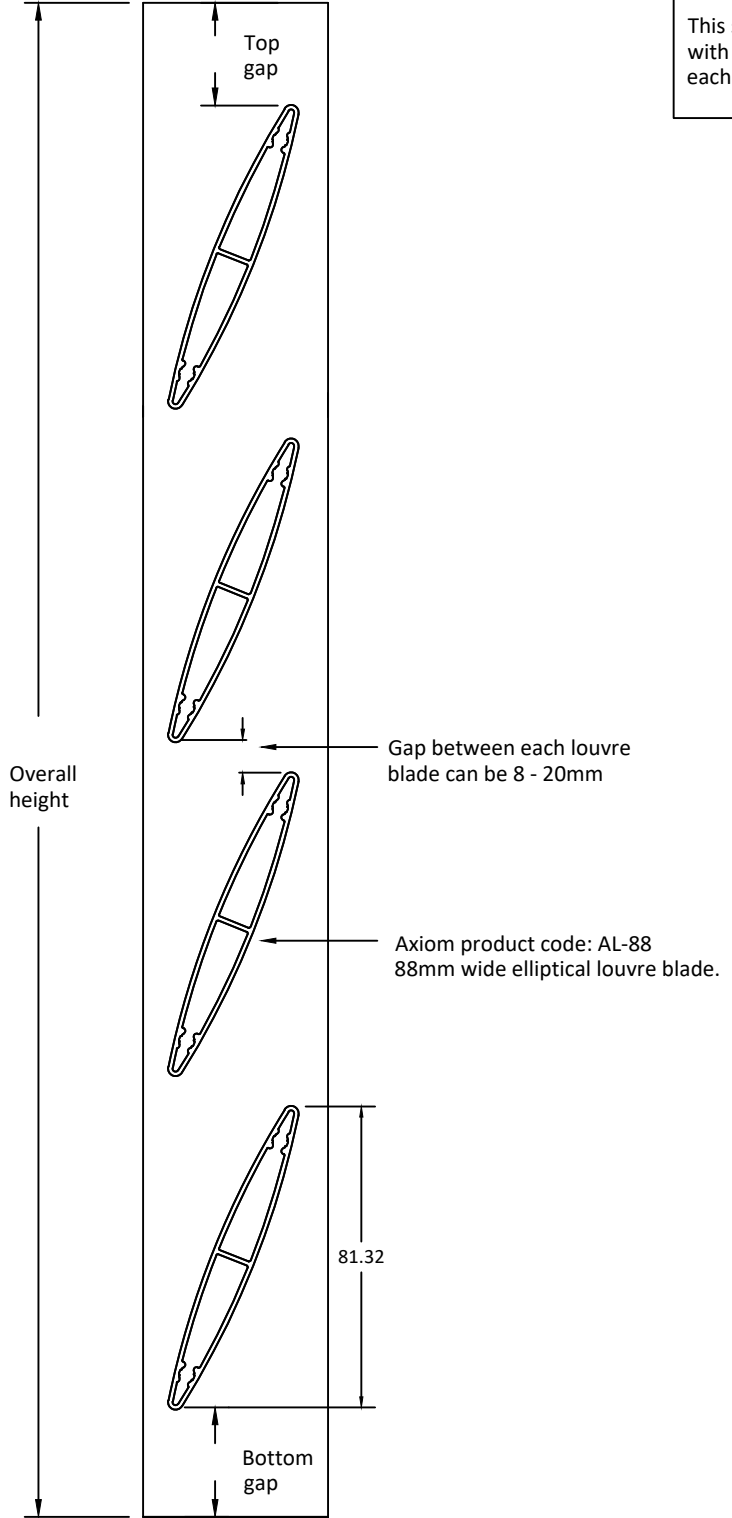
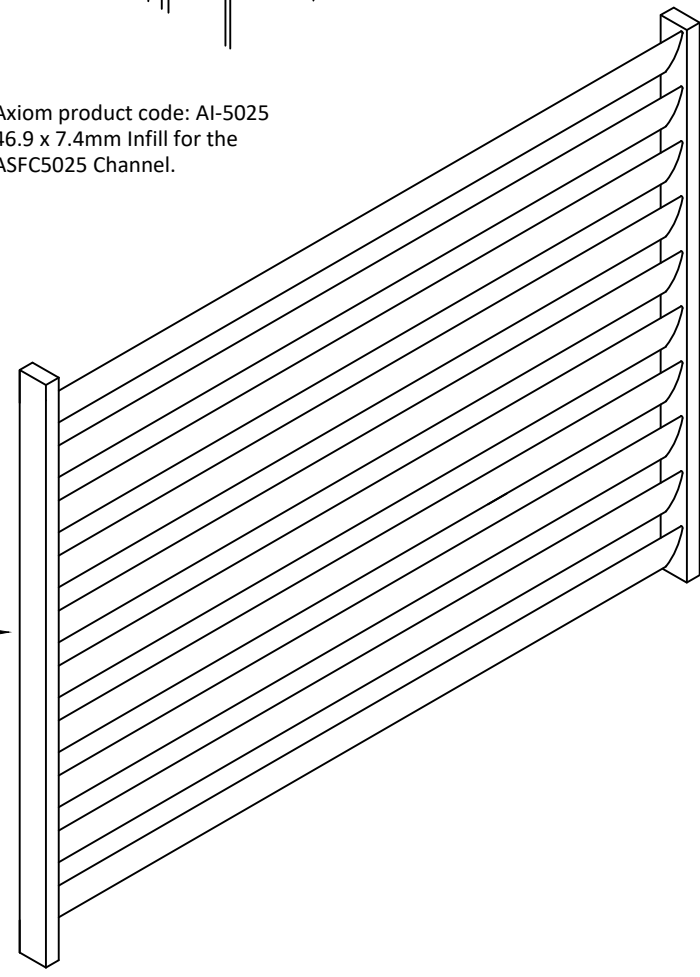


Elevations are for illustration purpose only.

This suite drawing is for a two sided frame with louvres. Louvres will have gaps between each blade from 8 - 20mm.



Axiom product code: AC-5025 50 x 25 Jamb and Mullion Channel section.



Ensure glass is glazed in accordance with AS1288. Glass must be blocked to ensure it cannot dislodge from within the frame.

When Axiom products are concealed or in contact with screed, tile bed or another item that could cause corrosion, Axiom products must be adequately protected to prevent any corrosion.

It is the installers responsibility to ensure that any dissimilar metals are kept separated. Axiom Group recommends the use of nylon washers to keep dissimilar metals separated.

\* Read this drawing in conjunction with the relevant engineering drawings. All products must be installed as specified by the engineer.



Style: Privacy screen  
 Suite: Infinity suite  
 Product: Screen with 50 X 25 frame and 88mm wide elliptical louvres. Code: ALS-2S-8-20P-finish type

Scale as shown @ A1  
 Paper Size: A1  
 Unless otherwise stated all dimensions are in MM

Drawing n°. SD17-11  
 Drawn by: C. Richardson  
 Date: 15 / 5 / 2016

Checked by: HM  
 Revision: A

Job N°. Drawing type: Suite drawing  
 This drawing has been produced using AutoCAD LT 2015

Proprietary and Confidential  
 This drawing remains the sole property of Axiom Group Investments Pty Ltd. It must not be reproduced in part or in whole without consent from the Directors. Axiom reserves the right to amend drawings in the interest of continuous improvement.  
 E & O E