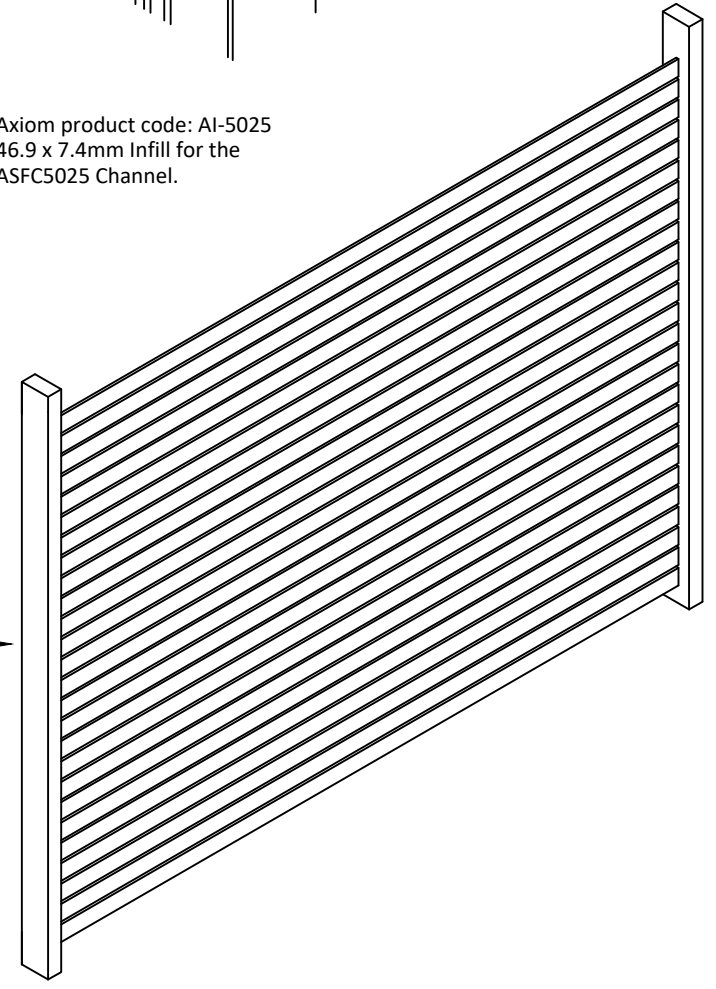
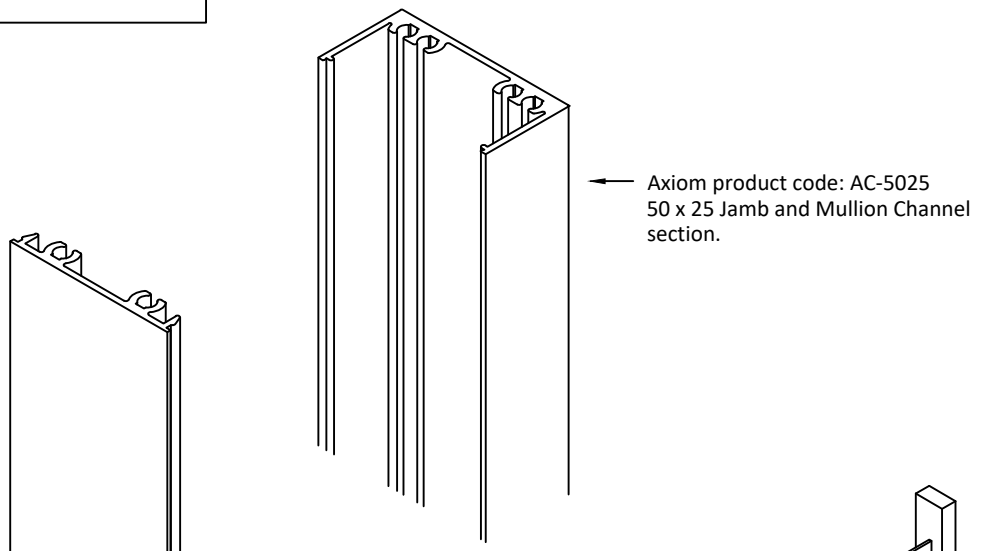
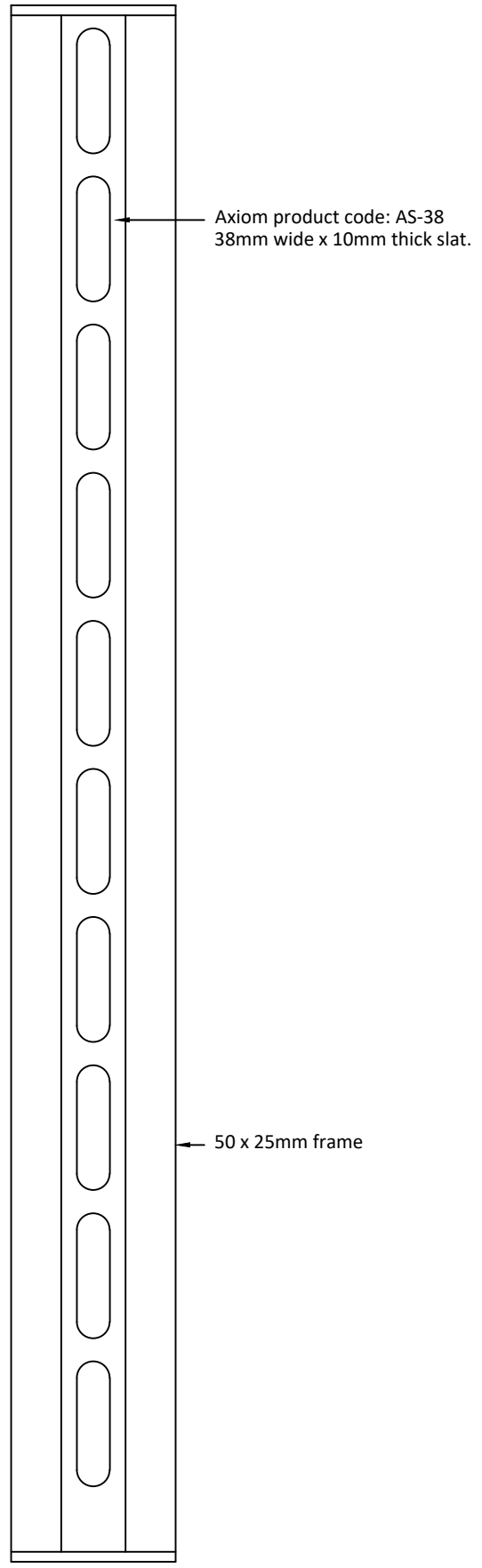


Elevations are for illustration purpose only.

This suite drawing is for a two sided 50 x 25mm frame with 38mm wide slats. Slats will have gaps between of 8 - 20mm.



Axiom product code: AC-5025
50 x 25 Jamb and Mullion Channel section.

Ensure glass is glazed in accordance with AS1288. Glass must be blocked to ensure it cannot dislodge from within the frame.

When Axiom products are concealed or in contact with screed, tile bed or another item that could cause corrosion, Axiom products must be adequately protected to prevent any corrosion.

It is the installers responsibility to ensure that any dissimilar metals are kept separated. Axiom Group recommends the use of nylon washers to keep dissimilar metals separated.

* Read this drawing in conjunction with the relevant engineering drawings. All products must be installed as specified by the engineer.



Style: Privacy screen Suite: Infinity suite Product: Screen with 38mm wide slats and 50 x 25 frame. Product code: ASS-2S-502538-finish type	Scale as shown @ A1	Drawing n°. SD17-02	Checked by: HM	Job N°.	Proprietary and Confidential This drawing remains the sole property of Axiom Group Investments Pty Ltd. It must not be reproduced in part or in whole without consent from the Directors. Axiom reserves the right to amend drawings in the interest of continuous improvement. E & O E
	Paper Size: A1	Drawn by: C. Richardson	Revision: A	Drawing type: Suite drawing	
	Unless otherwise stated all dimensions are in MM	Date: 15 / 5 / 2016	This drawing has been produced using AutoCAD LT 2015		