

1 2 3 4 5 6 7 8 9 10 11 12

A

B

C

D

E

F

G

H

A

B

C

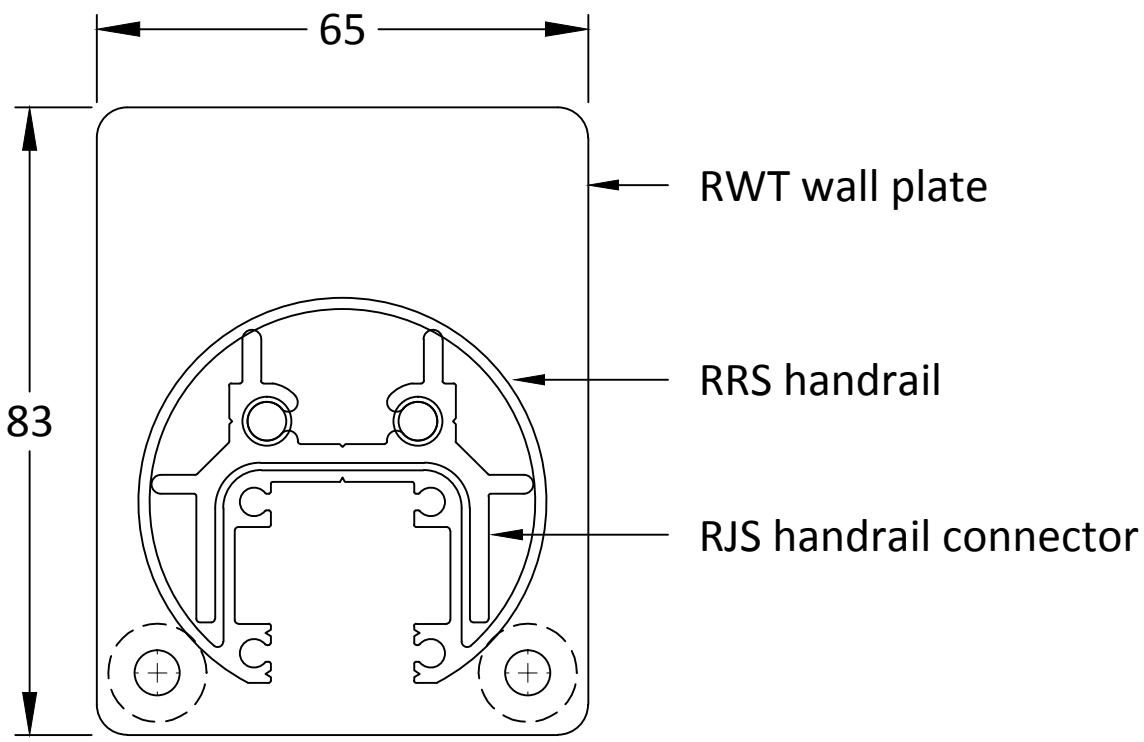
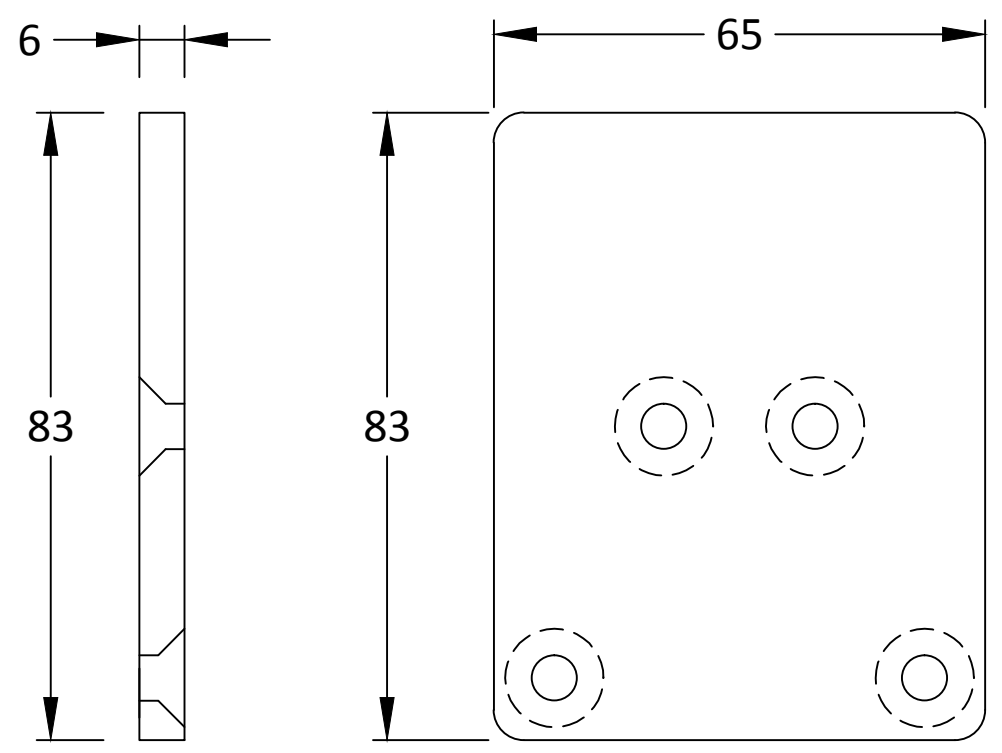
D

E

F

G

H



Axiom product code: RWT
 Size: 83 x 65 x 6mm thick wall plate for the RJS / RRS handrail.

All holes to be 6mm Dia. with a 13mm Dia. countersink

Axiom will supply 4n° FV12-50 stainless steel screws with this product.



Project: Axiom product drawing Client: Axiom Group Pty Ltd Title: Axiom semi frameless balustrade suite. Specification of Axiom product code: RWT	Scale: 1:1 @ A3	Drawing N°: APD12-04	Checked by: HM	Alloy / grade of aluminium 6106 T6	Proprietary and Confidential This drawing remains the sole property of the Axiom Group investments Pty Ltd. It must not be reproduced in part or in whole without written consent from the Directors. Axiom reserves the right to amend drawings in the interest of continuous improvement.
	Paper size: A3	Drawn by: C R Richardson	Date: 1 / 8 / 15	This drawing has been produced in AutoCAD LT 2015.	
	Unless otherwise stated all dimensions are in MM.	Revision: A 9/4/17. Hole size increased to 6mm dia. & countersink increased to 13mm Dia.			

1 2 3 4 5 6 7 8 9 10 11 12