

1 2 3 4 5 6 7 8 9 10 11 12

A

B

C

D

E

F

G

H

A

B

C

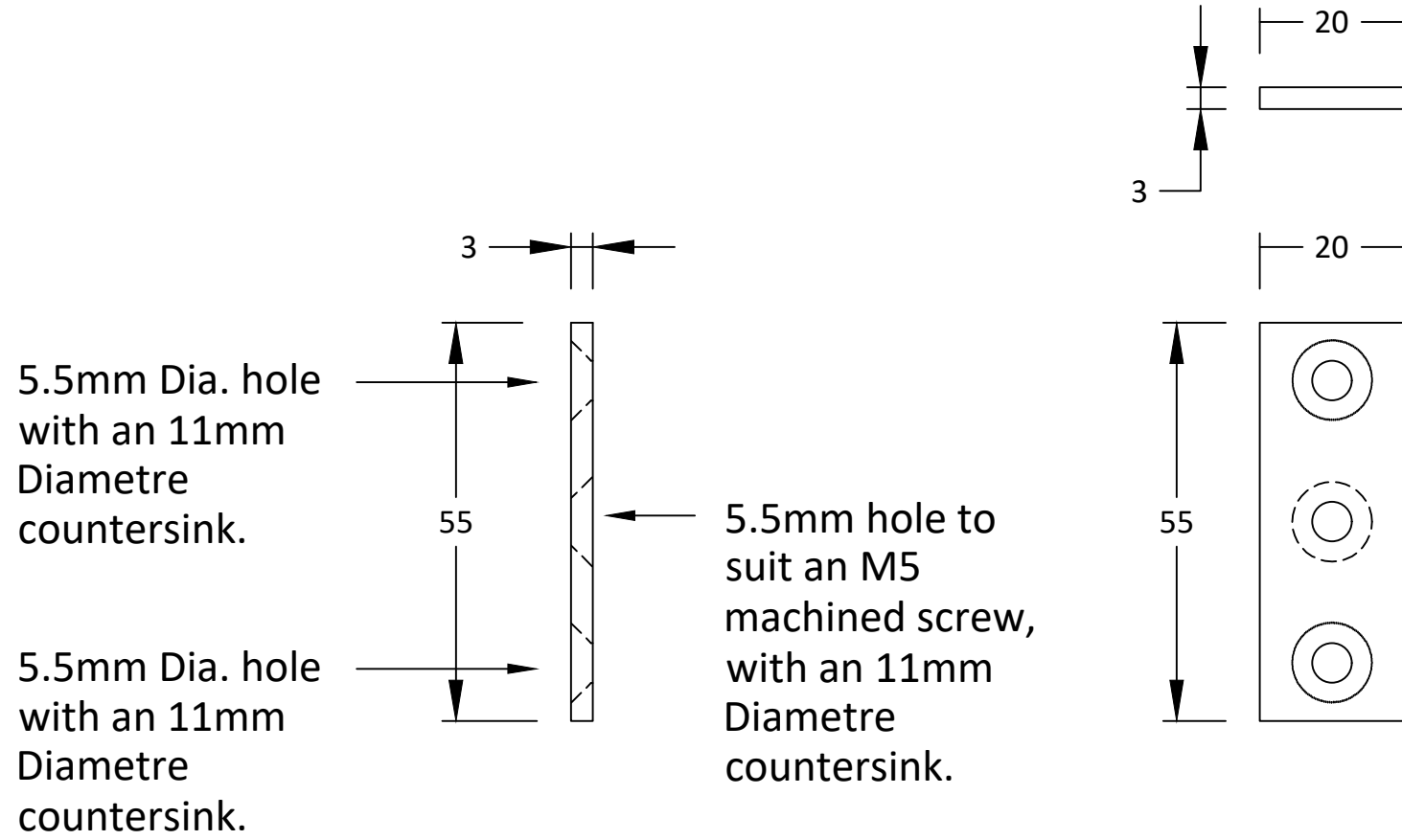
D

E

F

G

H



Axiom product code: DWHFP

55 x 20 x 3mm flat handrail plate.

2n° 10g x 25mm long S/S screws. Product code: HBPS (handrail bracket plate screw)



Project: Axiom product drawing
Client: Axiom Group Pty Ltd
Title: Axiom semi frameless balustrade suite.
 Specifications of the Axiom product code: DWHFP.

Scale: 1:1 @ A3
Paper size: A3
 Unless otherwise stated all dimensions are in MM.

Drawing N°: APD13-07
Drawn by: CRR
 Revision:
 Rev A - 27/3/17 Screw hole changed size
 Rev B - 5/5/17 Counter sink size changed

Checked by: HM
Date: 1 / 8 / 15

Material: Stainless steel
 This drawing has been produced in AutoCAD LT 2015.

Proprietary and Confidential
 This drawing remains the sole property of the Axiom Group investments Pty Ltd. It must not be reproduced in part or in whole without written consent from the Directors. Axiom reserves the right to amend drawings in the interest of continuous improvement.

1 2 3 4 5 6 7 8 9 10 11 12