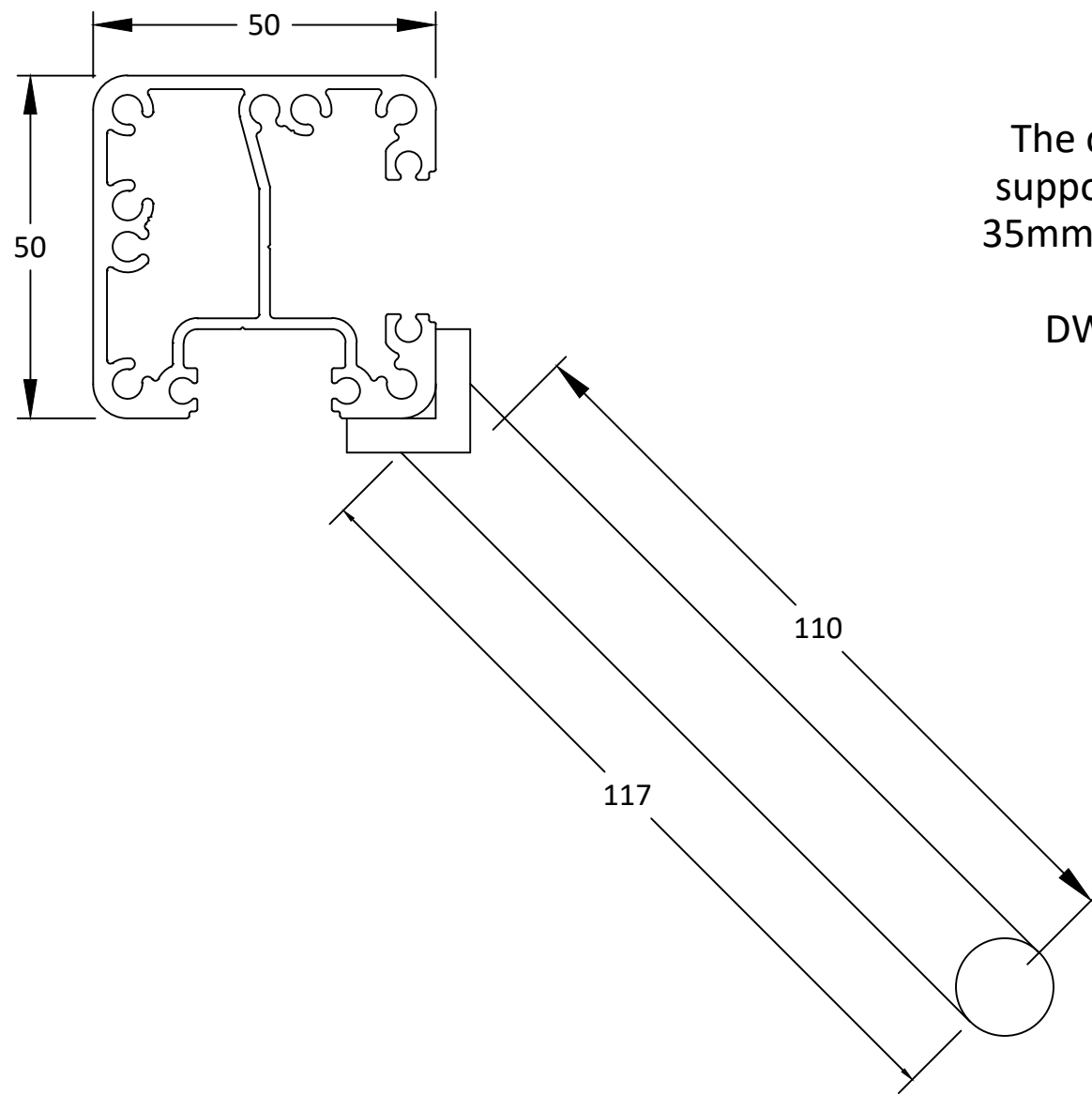
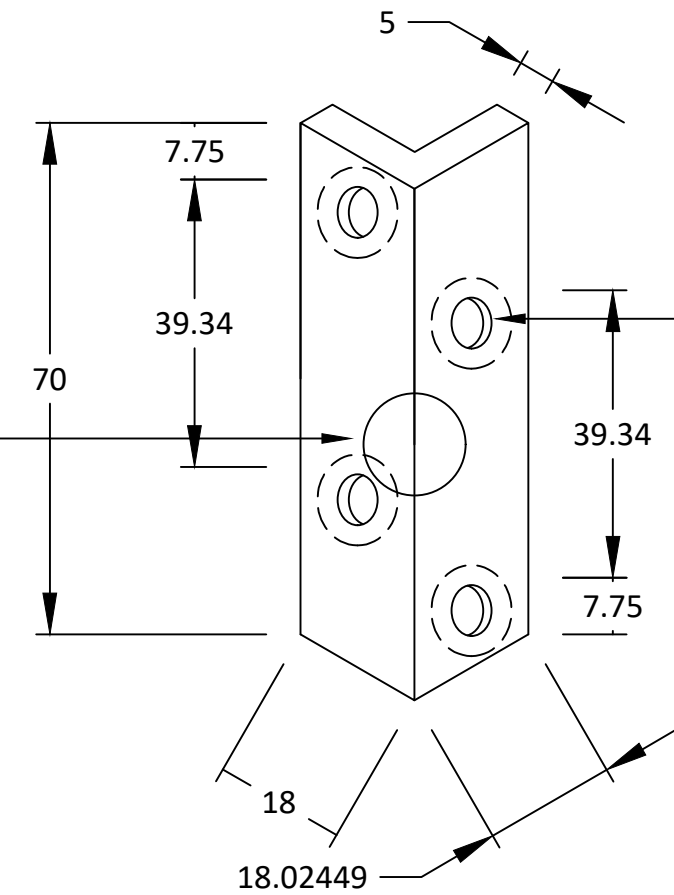


Plan view of the APQ post and DWHCNR handrail bracket.




The centre of the support arm to be 35mm up from the bottom of DWHCNR right angle corner bracket.



4n° 5.5mm diameter holes with an 11mm Diameter countersink.

Axiom product code: DWHCNR

Corner plate for the DWH handrail bracket.

	Project: Axiom product drawing	Scale: 1:1 @ A3	Drawing N°: APD13-03	Material: Mild steel	Proprietary and Confidential This drawing remains the sole property of the Axiom Group investments Pty Ltd. It must not be reproduced in part or in whole without written consent from the Directors. Axiom reserves the right to amend drawings in the interest of continuous improvement.
	Client: Axiom Group Pty Ltd	Drawn by: CRR	Checked by: HM		
	Title: Axiom semi frameless balustrade suite. Specifications of the Axiom product code: DWHCNR.	Date: 1 / 8 / 15	Revision:		
	Unless otherwise stated all dimensions are in MM.				