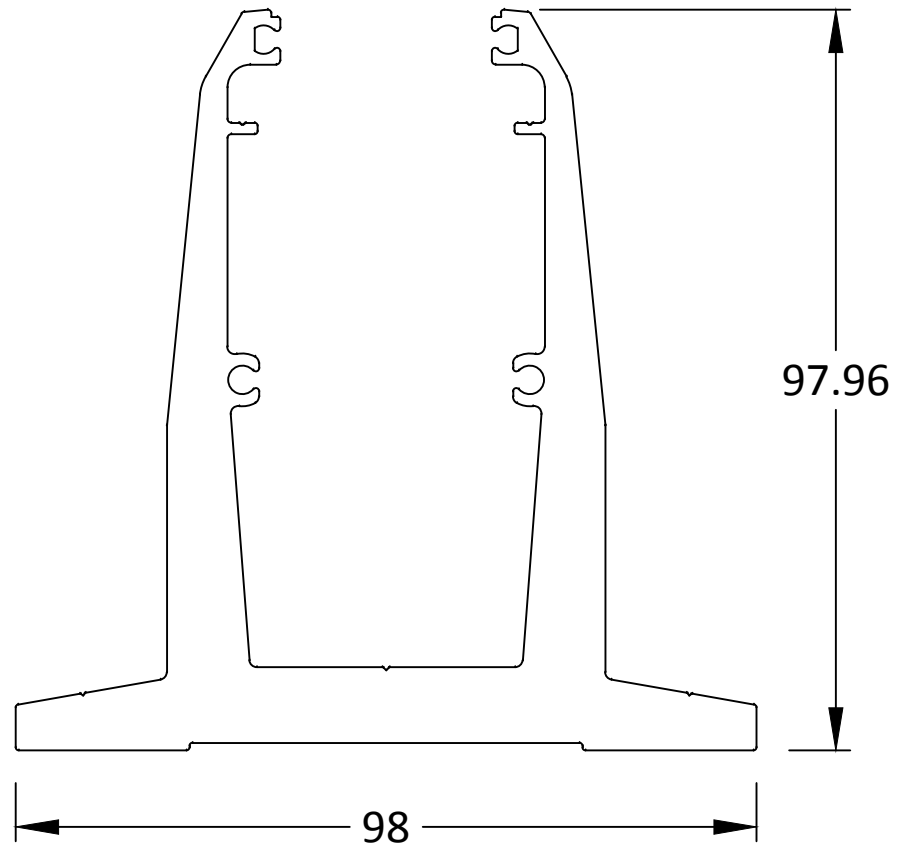


Axiom Product code: AZD  
Glazing channel.

Use Axiom product code: SBS  
Glass setting block 50mm long x  
18.8mm wide x 16.6mm high  
2n° setting blocks to be fitted for  
each panel of glass, with this  
channel.



<b>Project:</b> Axiom product drawing <b>Client:</b> Axiom Group Pty Ltd <b>Title:</b> Axiom frameless balustrade suite. Specifications of Axiom product code: AZD glazing channel.	<b>Scale:</b> 1:1 @ A3	<b>Drawing N°:</b> APD15-04	<b>Alloy / grade of aluminium:</b> 6106 T6	<b>Order length:</b> 6.0m	Proprietary and Confidential  This drawing remains the sole property of the Axiom Group investments Pty Ltd. It must not be reproduced in part or in whole without written consent from the Directors. Axiom reserves the right to amend drawings in the interest of continuous improvement.
	<b>Checked by:</b> HM	<b>Drawn by:</b> C R Richardson	<b>Anodised perimetre:</b> 619.689mm	<b>Sq/m per length:</b> 3.718	
	<b>Date:</b> 1 / 8 / 15	<b>Revision:</b>	<b>Powder coat perimetre:</b> 342.851mm	<b>Sq/m per length:</b> 2.057	
	Unless otherwise stated all dimensions are in MM.		<b>Mass:</b> 5.883 kgs per metre.	<b>Mass:</b> 35.298 kgs per length	