

1 2 3 4 5 6 7 8 9 10 11 12

A

B

C

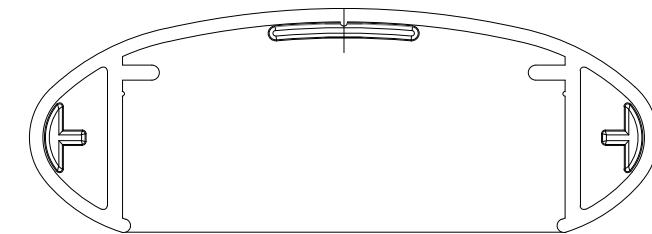
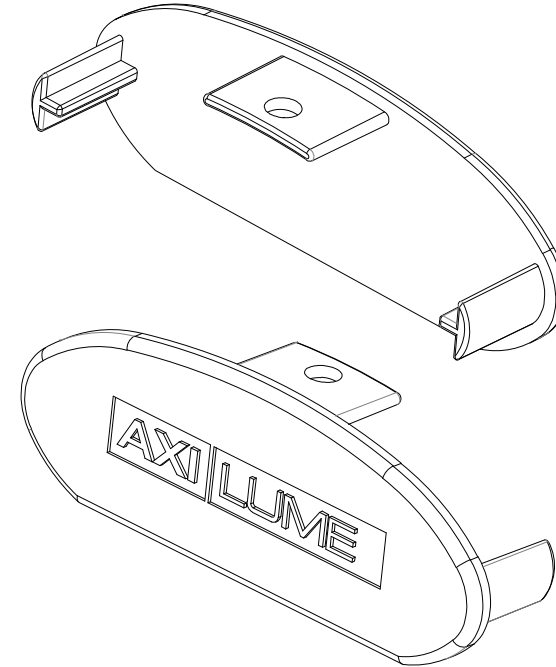
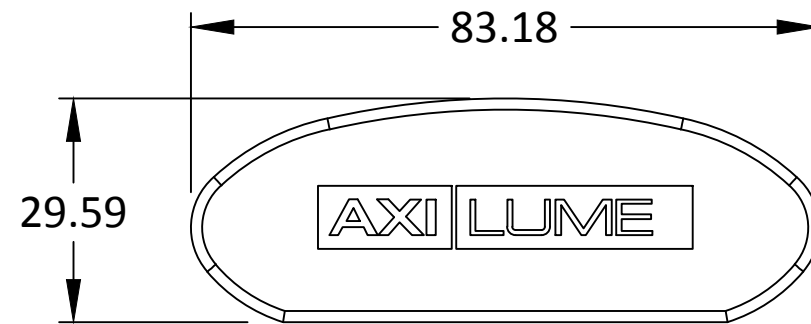
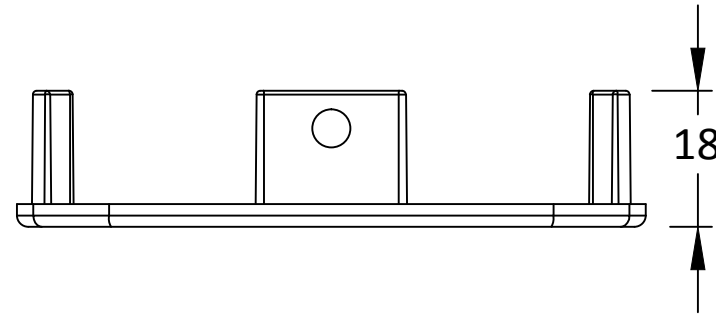
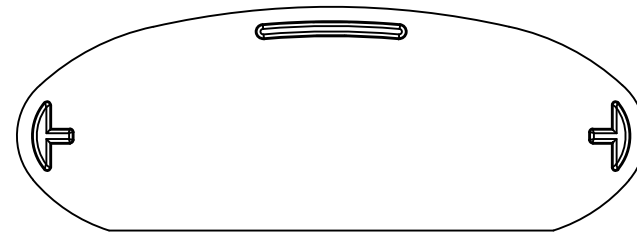
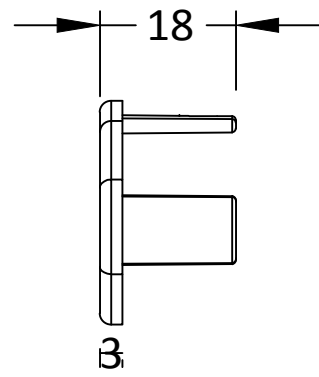
D

E

F

G

H



Axiom product code: AXC508

Cast end cap for the Elegance oval handrail, which is part of the Clearview system.



Project: Axiom product drawing	Scale: 1:1 @ A3	Drawing N°: APD10-07	Checked by: HM	Material: Cast aluminium.	Proprietary and Confidential This drawing remains the sole property of the Axiom Group investments Pty Ltd. It must not be reproduced in part or in whole without written consent from the Directors. Axiom reserves the right to amend drawings in the interest of continuous improvement.
Client: Axiom Group Pty Ltd	Paper size: A3	Drawn by: C R Richardson	Date: 1 / 8 / 15	This drawing has been produced in AutoCAD LT 2015.	
Title: Axiom fully framed balustrade suite. Specification of Axiom product code: AXC508	Unless otherwise stated all dimensions are in MM.	Revision:			

1 2 3 4 5 6 7 8 9 10 11 12