

1 2 3 4 5 6 7 8 9 10 11 12

A

B

C

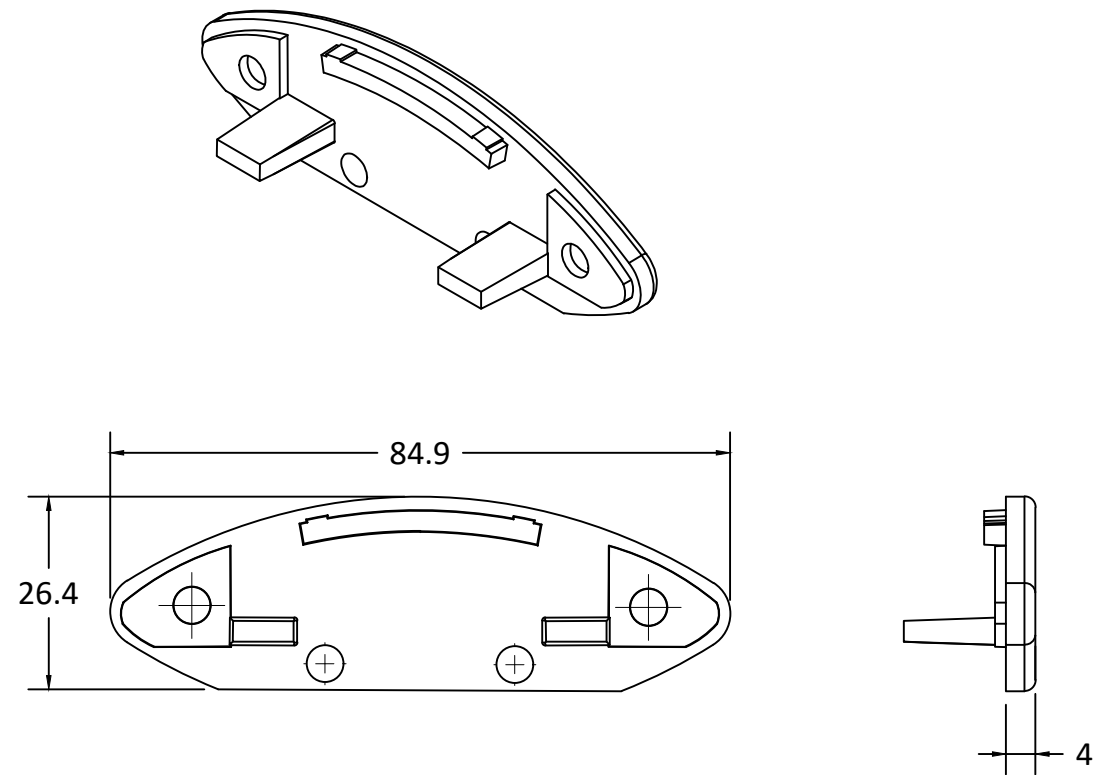
D

E


F

G

H



Axiom product code: ACT
End cap for the ART handrail.

	Project: Axiom product drawing			Scale: 1:1 @ A3	Drawing N°: APD10-02	Checked by: HM	Alloy / grade of aluminium 6106 T6	Proprietary and Confidential This drawing remains the sole property of the Axiom Group investments Pty Ltd. It must not be reproduced in part or in whole without written consent from the Directors. Axiom reserves the right to amend drawings in the interest of continuous improvement.
	Client: Axiom Group Pty Ltd			Paper size: A3	Drawn by: C R Richardson	Date: 1 / 8 / 15	This drawing has been produced in AutoCAD LT 2015.	
	Title: Axiom semi frameless balustrade suite. Specification of Axiom product code: ACT.			Unless otherwise stated all dimensions are in MM.	Revision:			

1 2 3 4 5 6 7 8 9 10 11 12