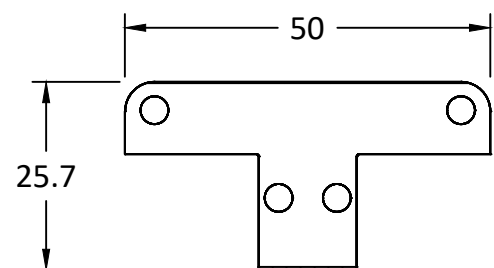
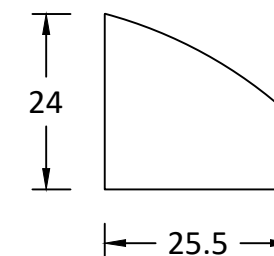
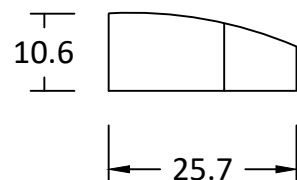


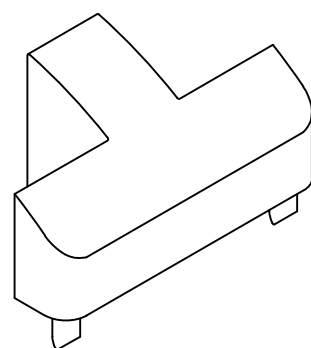
Plan



Side elevation



Isometric view



Axiom product code: ACFG

Cast top cap for the AFG post. Specify this cap for intermediate AFG posts when glass extends above the top of the post.



Project: Axiom product drawing
Client: Axiom Group Pty Ltd
Title: Axiom semi frameless balustrade suite.
 Specification of Axiom product code: ACFG.

Scale: 1:1 @ A3
Paper size: A3
 Unless otherwise stated all dimensions are in MM.

Drawing N°: APD6-01
Drawn by: CRR
Revision:

Checked by: HM
Date: 1 / 8 / 15

Alloy / grade of aluminium: 6106 T6
 This drawing has been produced in AutoCAD LT 2015.

Proprietary and Confidential
 This drawing remains the sole property of the Axiom Group investments Pty Ltd. It must not be reproduced in part or in whole without written consent from the Directors. Axiom reserves the right to amend drawings in the interest of continuous improvement.