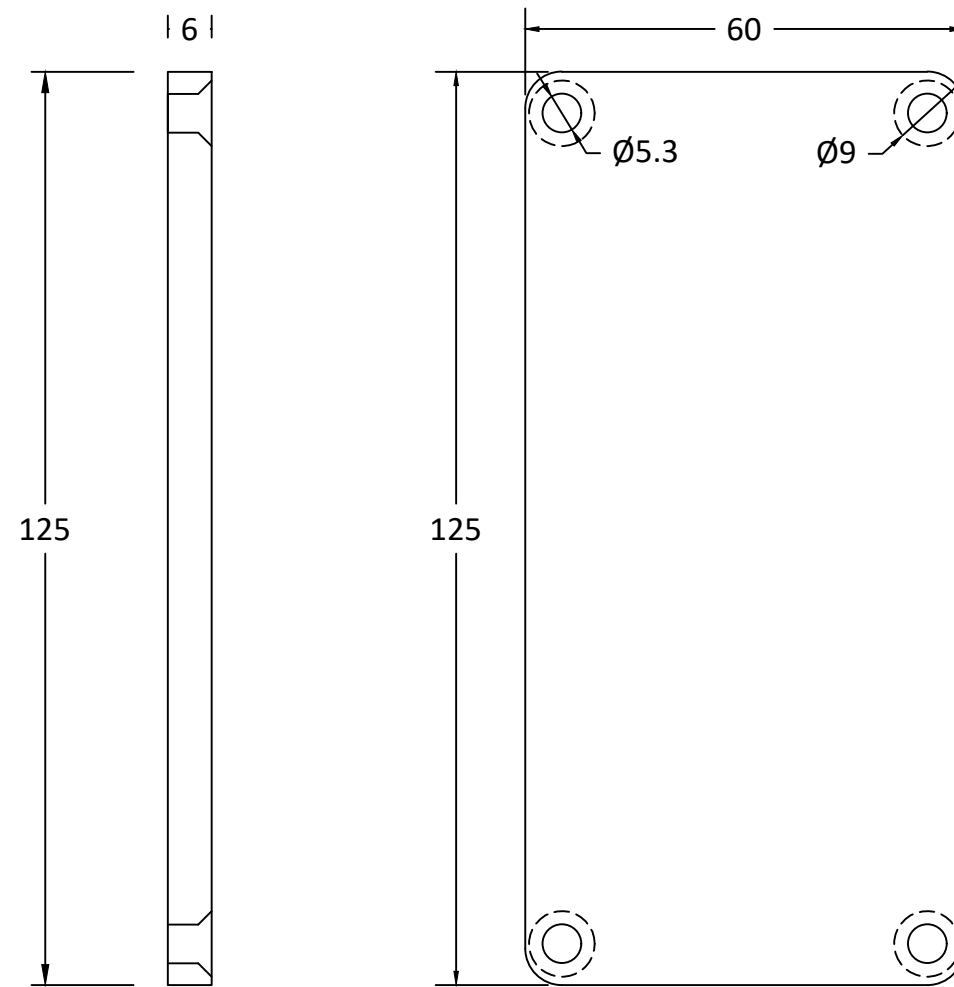


Side view


Plan view



Axiom product code: 3KNTC
 Size: 125 x 60 x 6mm thick post end cap.

Hole size: 4n° 5.3mm Diametre holes.
 The dotted line represents a 9mm Diametre countersink om
 the top face.

4n° ECS screws are supplied with this product.

	Project: Axiom product drawing	Scale: 1:1 @ A3	Drawing N°: APD6-30	Checked by: HM	Alloy / grade of aluminium 6106 T6	Proprietary and Confidential This drawing remains the sole property of the Axiom Group investments Pty Ltd. It must not be reproduced in part or in whole without written consent from the Directors. Axiom reserves the right to amend drawings in the interest of continuous improvement.
	Client: Axiom Group Pty Ltd	Paper size: A3	Drawn by: C R Richardson	Date: 27 / 2 / 19	This drawing has been produced in AutoCAD LT 2015.	
	Title: Axiom semi frameless balustrade suite. Specification of Axiom product code: 3KNTC	Unless otherwise stated all dimensions are in MM.	Revision: A - 15/3/19 Cap thickness changed to 6mm.			