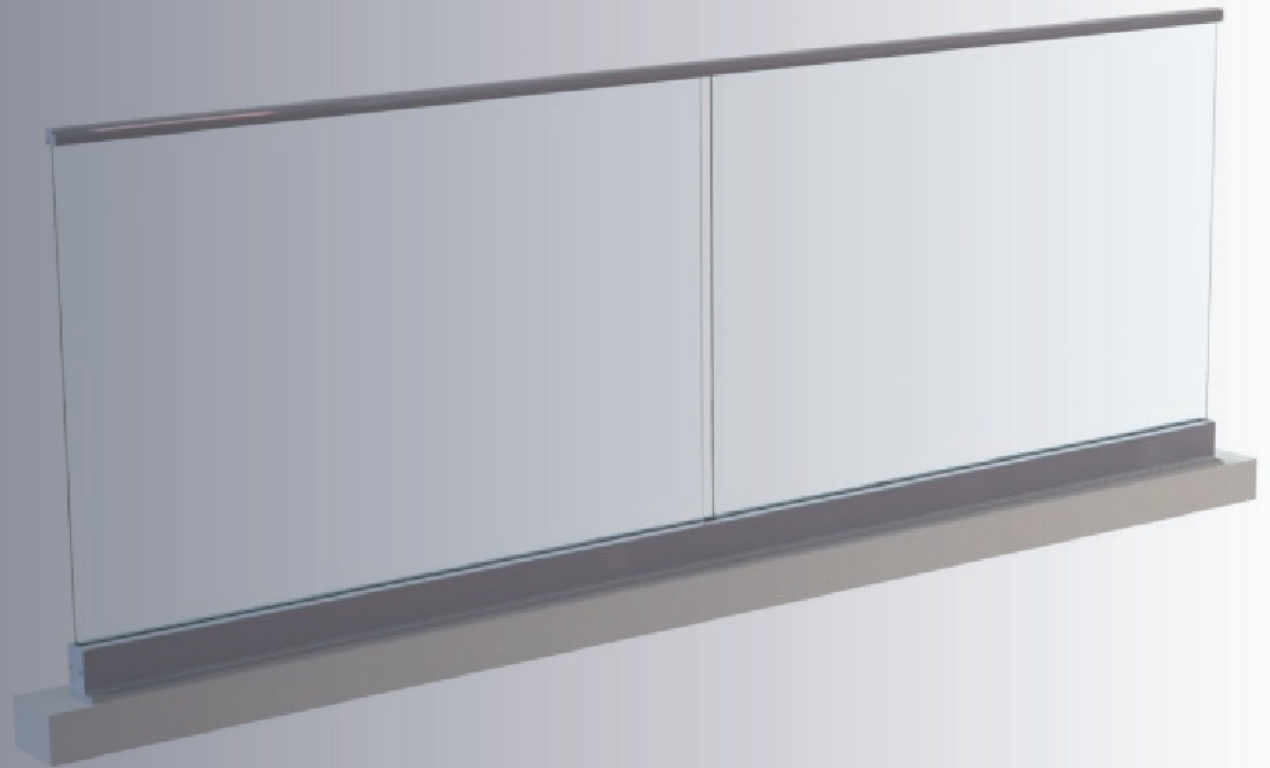


Axiom Installation Guide

SD24 - Smart Glaze



**Surrounded
by Experts.**

TM

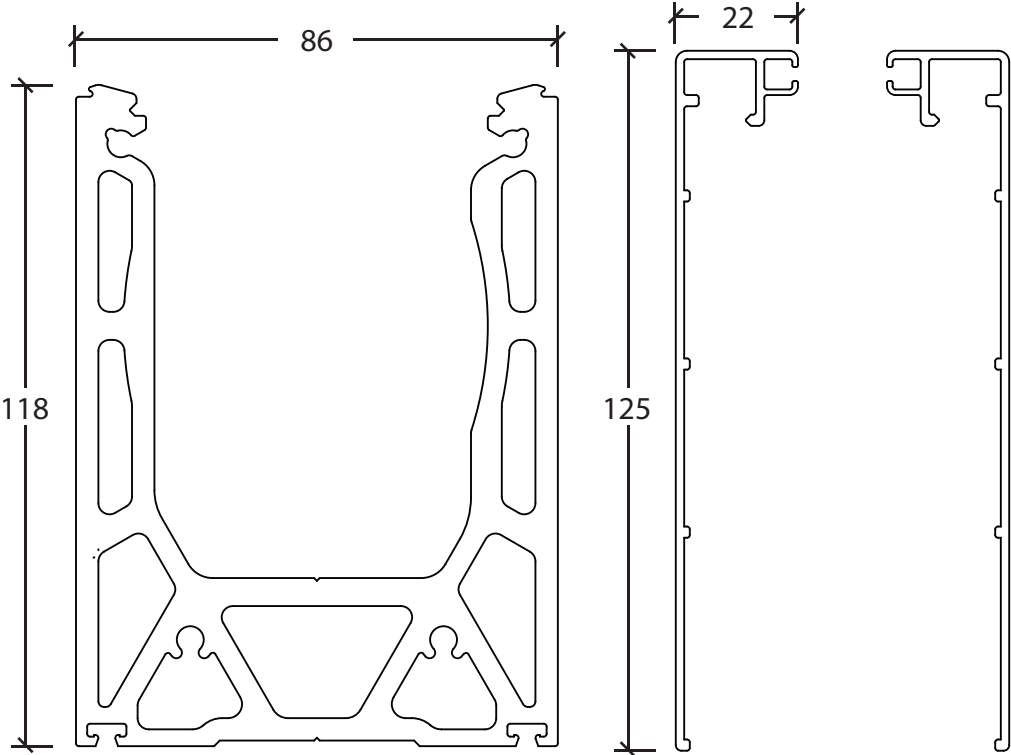
Index

Disclaimer_____	3
Smartglaze Channels_____	4
Install_____	5-7
SD24-01 Assembly_____	8
SD24-02 Assembly_____	9
SD24-03 Assembly_____	10
SD24-04 Assembly_____	11
SD24-05 Assembly_____	12
SD24-06 Assembly_____	13
SD24-07 Assembly_____	14
SD24-08 Assembly_____	15
SD24-09 Assembly_____	16
SD24-10 Assembly_____	17
SD24-11 Assembly_____	18
SD24-12 Assembly_____	19
SD24-13 Assembly_____	20
SD24-14 Assembly_____	21
SD24-15 Assembly_____	22
SD24-16 Assembly_____	23

Disclaimer and Important Notes

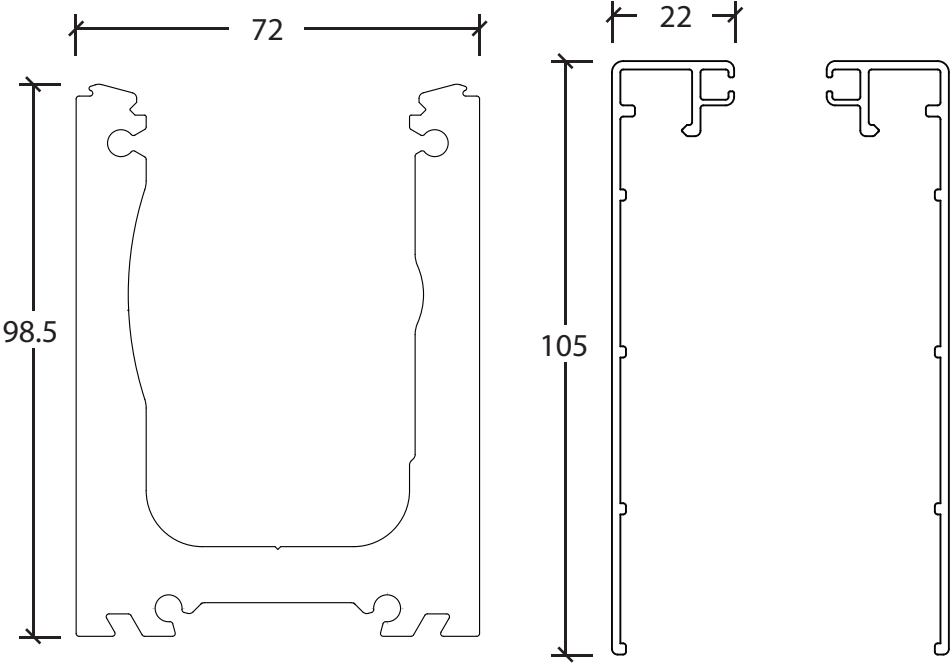
- (a) Except as provided in the Terms, all express and implied warranties, guarantees and conditions under statute or general law as to:
- (i) merchantability, description, quality, suitability or fitness of the Goods or Services for any purpose; or
 - (ii) design, assembly, installation, materials, workmanship or otherwise,
- are expressly excluded.
- (b) Axiom is not liable for physical or financial injury, loss or damage or consequential loss or damage of any kind arising out of:
- (i) the supply, layout, assembly, installation or operation of the Goods or Services; or
 - (ii) Axiom's negligence or other act or omission.
- (c) In addition to, and without in any way limiting, paragraphs (a) and (b) above, and notwithstanding that Axiom may provide engineering drawings, which (if it does) must be read in conjunction with Axiom's installation instructions:
- (i) it is the Customer's responsibility to comply with all Australian laws, all Standards (including but not limited to AS1288 and AS1170.1), the Building Code and the requirements of all relevant authorities;
 - (ii) the Customer must ensure that any existing structures or substrates to which the Goods are being affixed to are verified by a project engineer as structurally suitable to safely support the Goods or any other items being affixed to the structures or substrates; and
 - (iii) the Customer must fully insert and tighten all fasteners (including but not limited to baseplate screws) before installation of the Goods.

Smartglaze Channels



SG11886

SG11886AL-CP

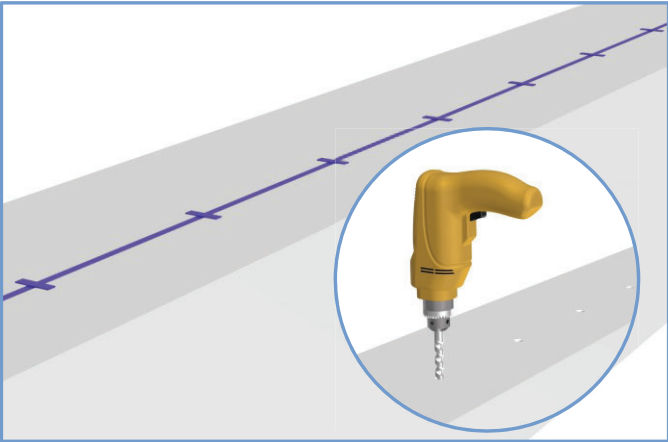


SG9872

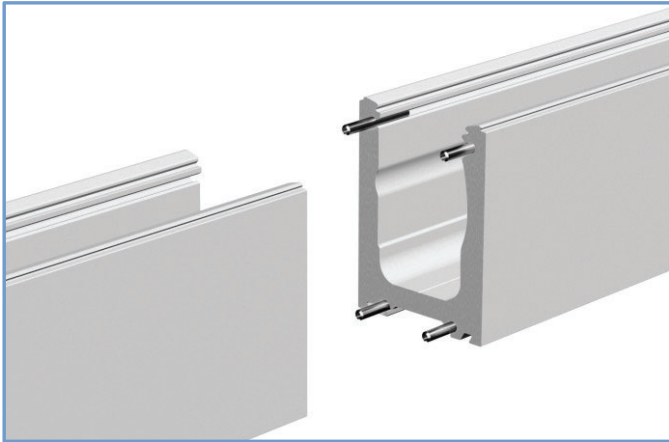
SG9872AL-CP

Install

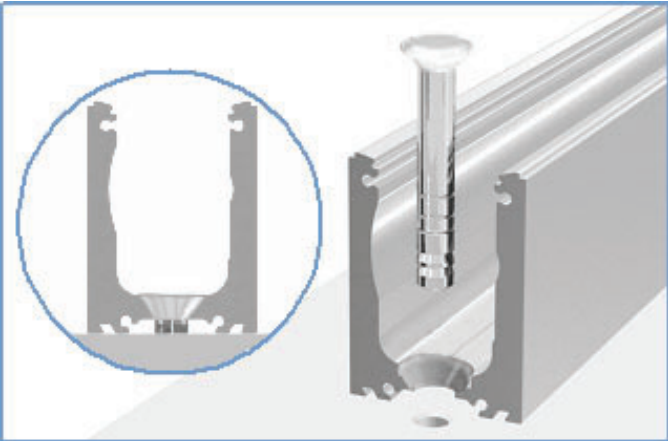
1. Mark position of holes as per your base rail and drill holes.



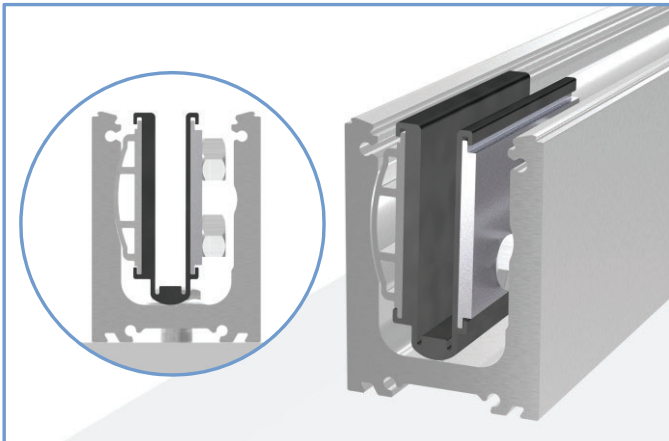
2. Connect the base rail with aligning pins



3. Position base rail and secure bolts

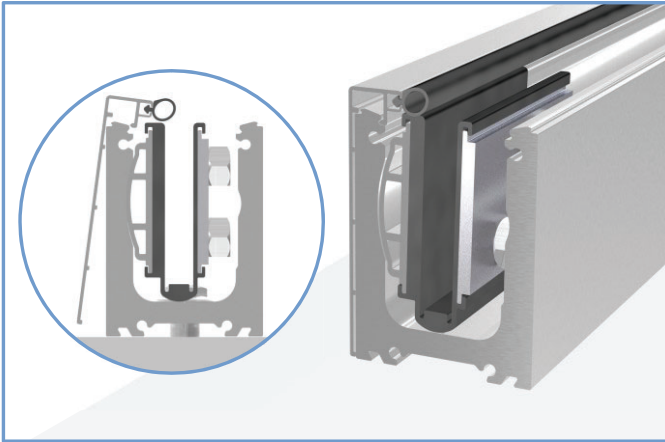


4. Install clamping kits as per engineering requirements.

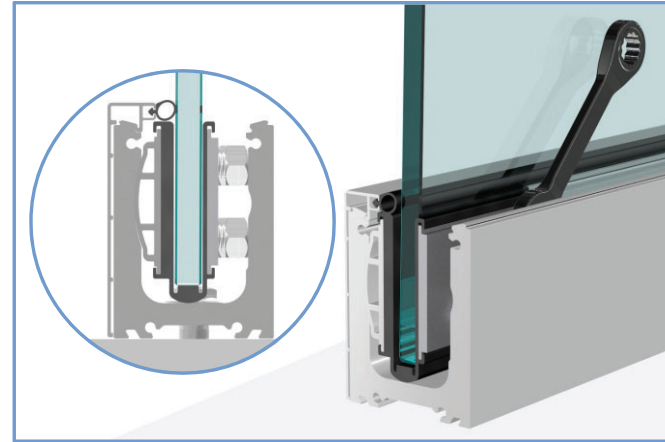


Install

5. Fit cover plates on the outer side of base rail adhesive is recommended



6. Fit glass. Position glass vertically, then tighten nuts to secure



7. If further adjustment required, loosen and tighten nuts to tilt glass

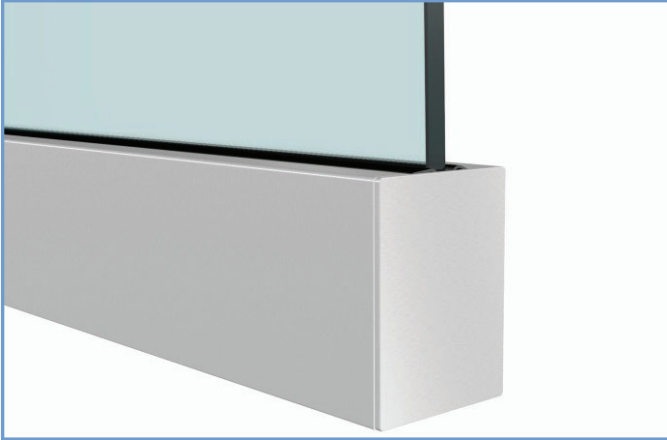


8. Fit cover plate on the inner side of base rail adhesive is recommended

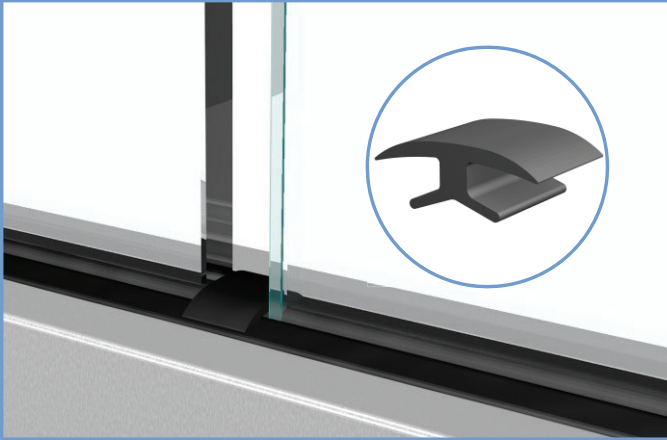


Install

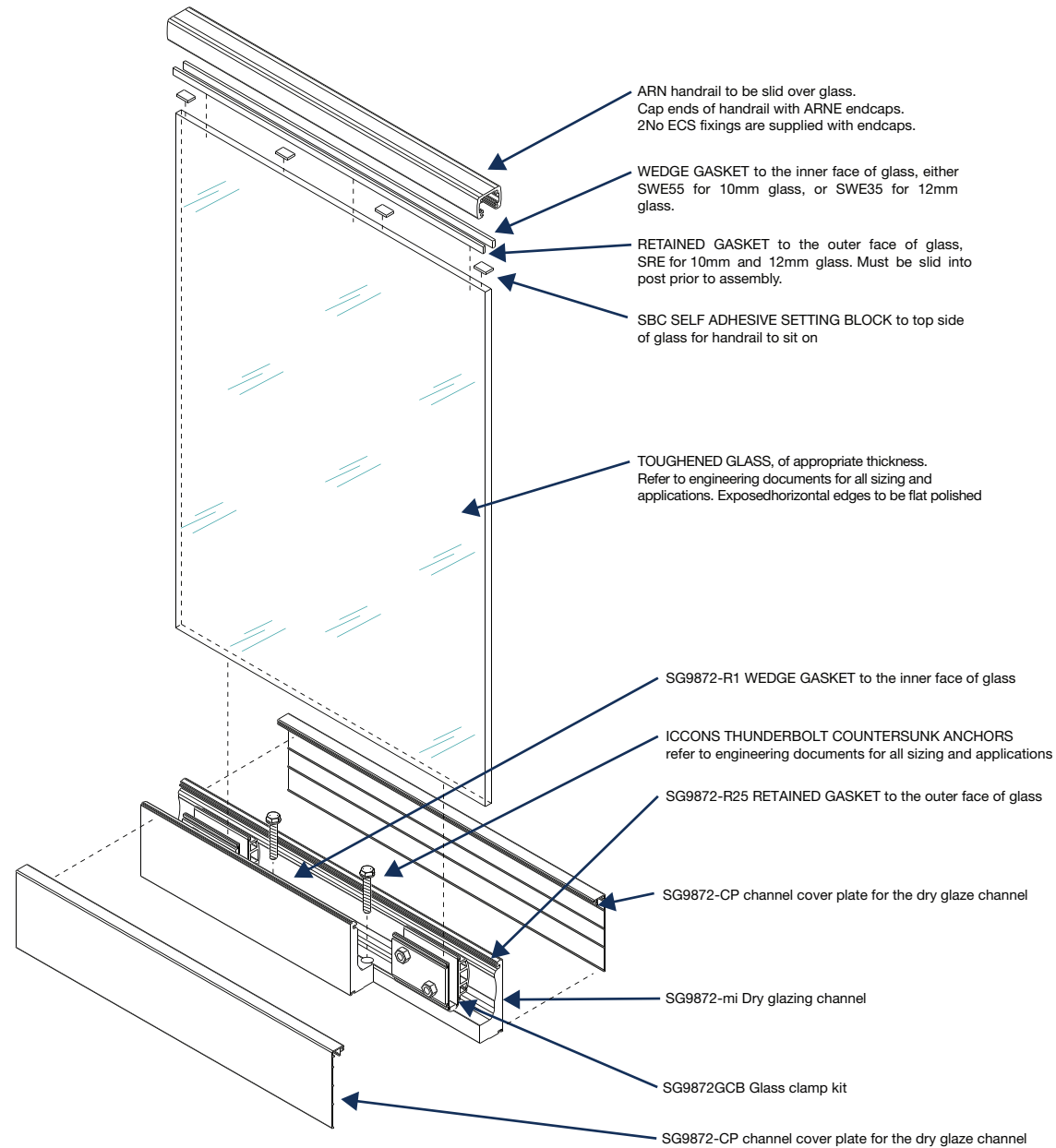
9. Fit end caps on the two ends of base rail.



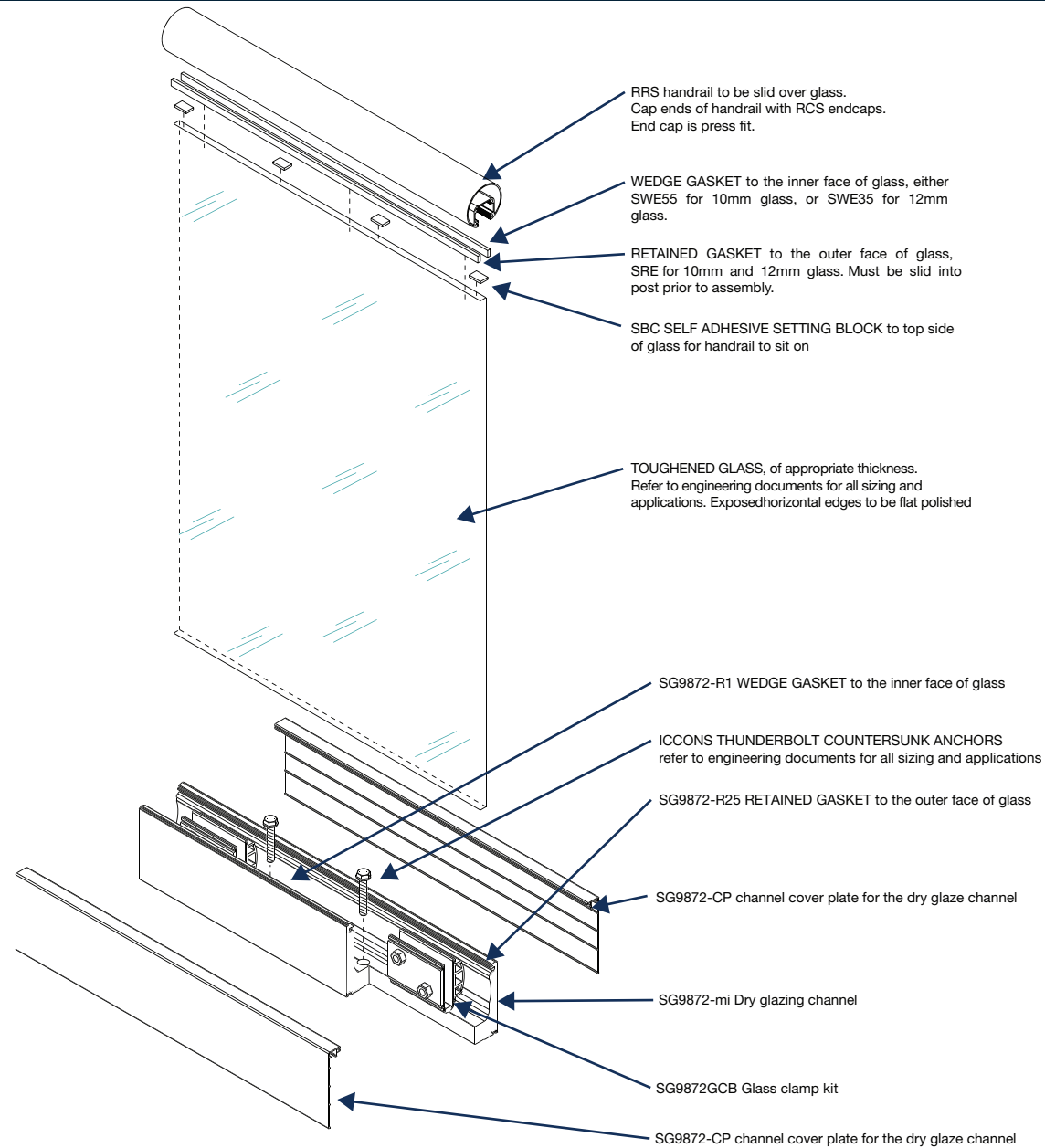
10. Fit glass spacers between glass panels.



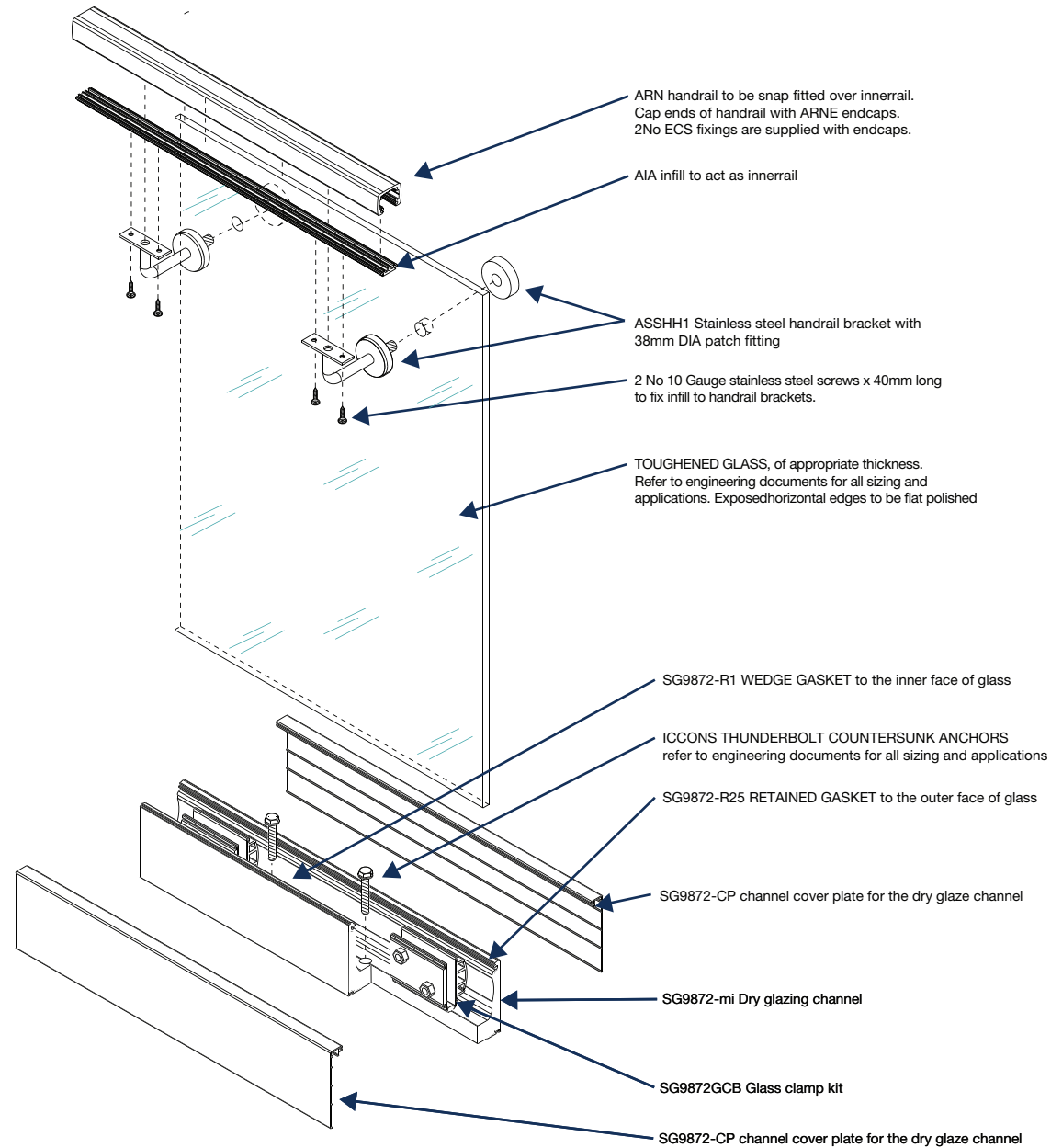
Smart Glaze (SD24-01) Assembly



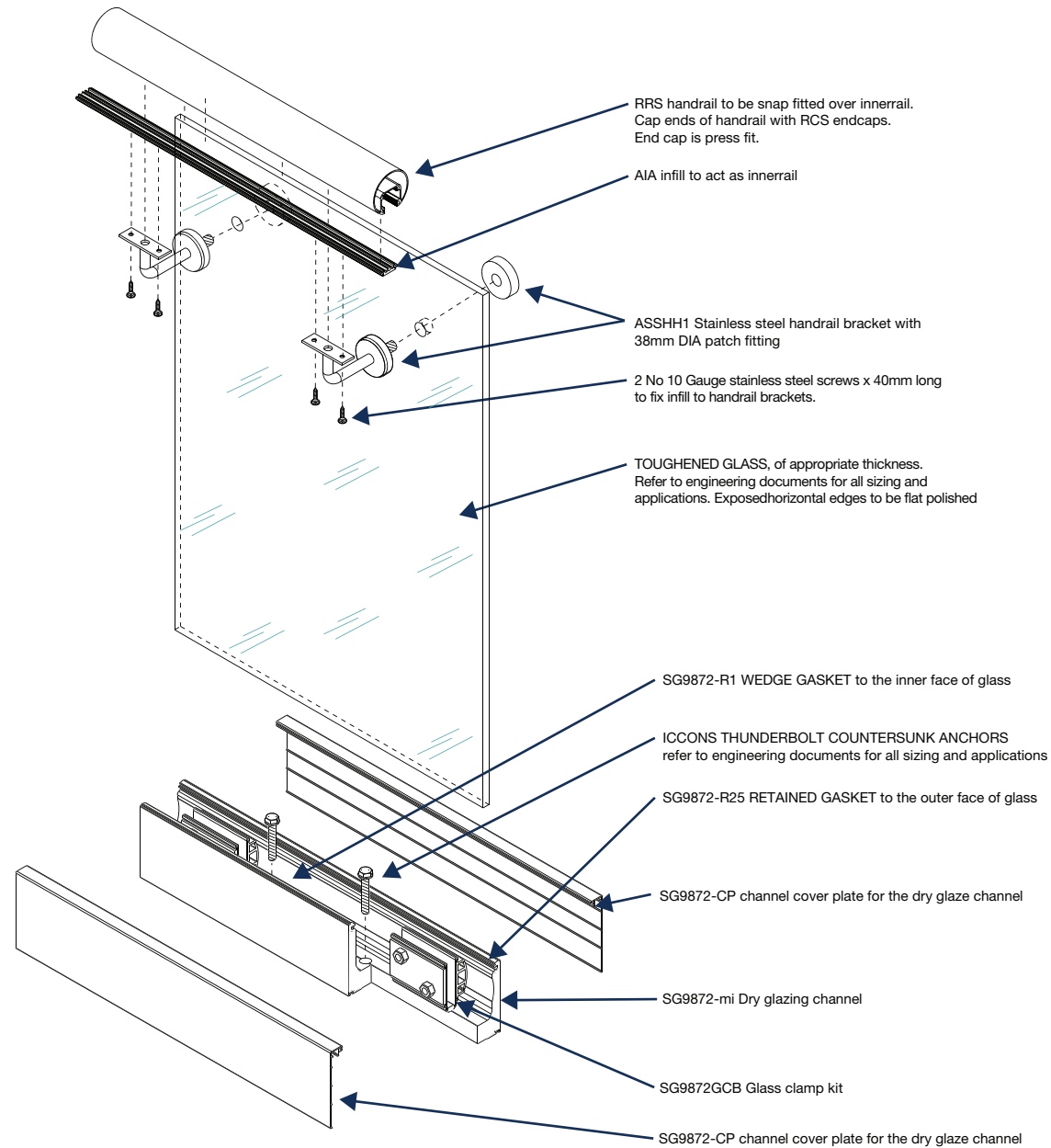
Smart Glaze (SD24-02) Assembly



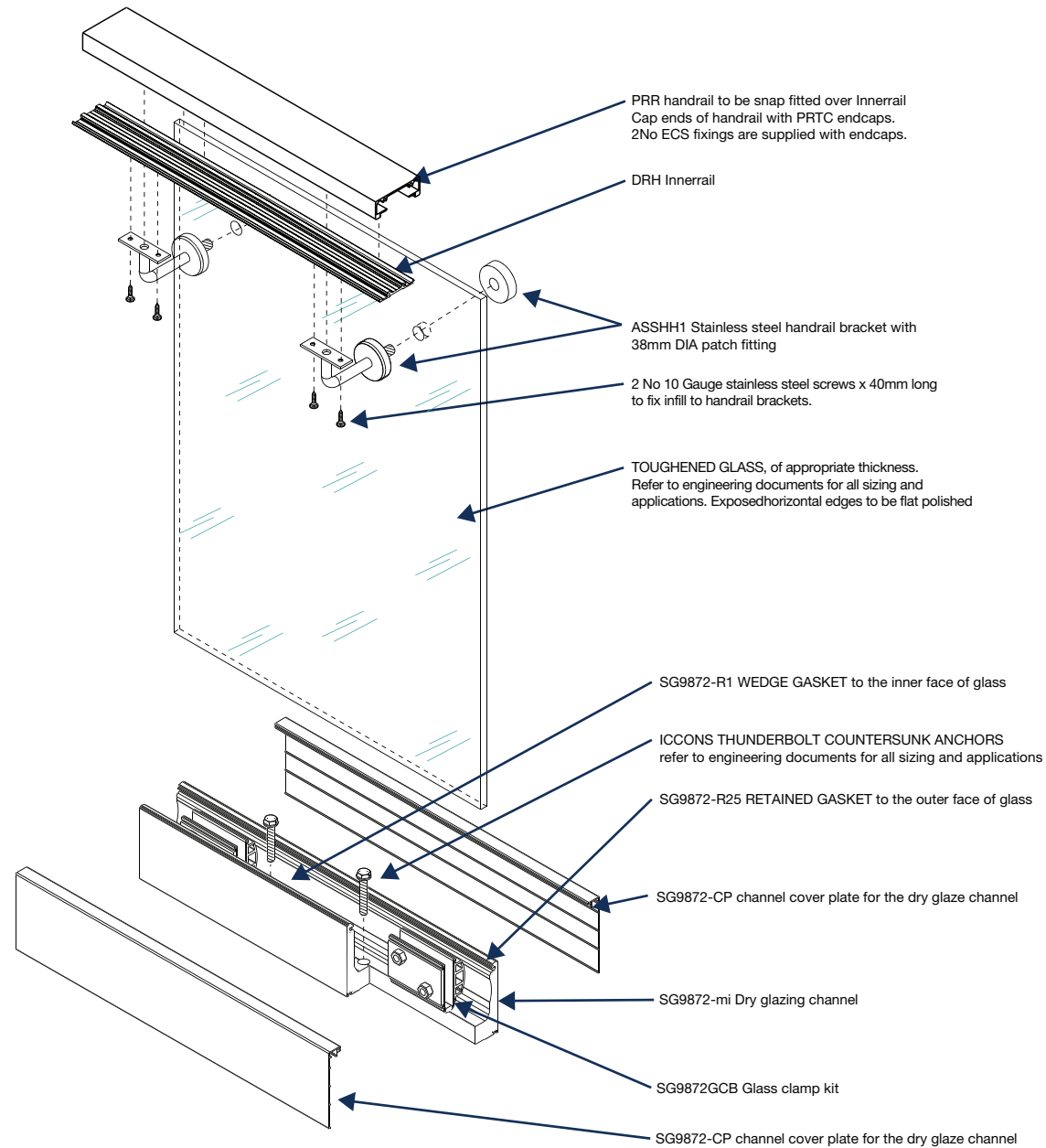
Smart Glaze (SD24-03) Assembly



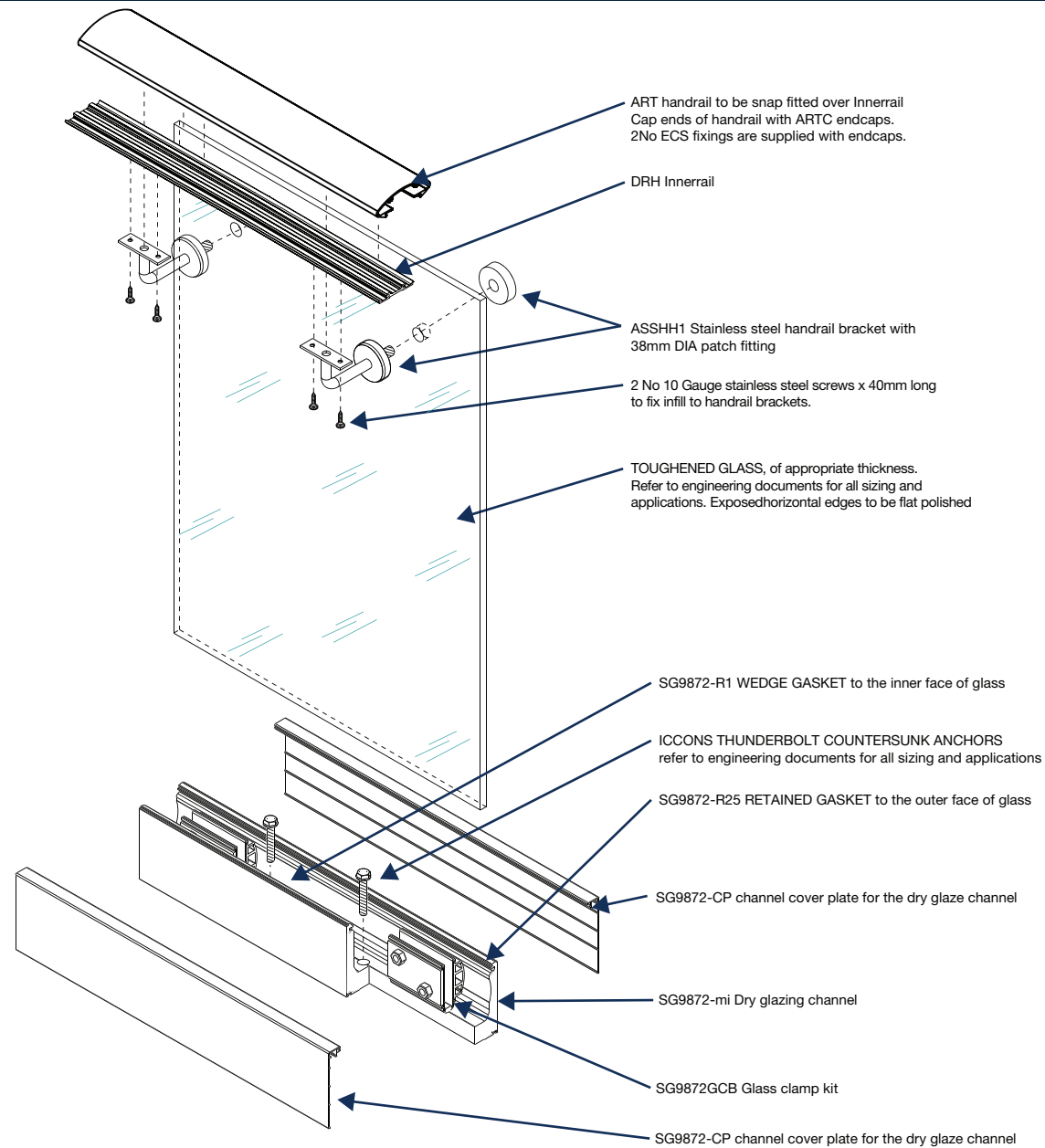
Smart Glaze (SD24-04) Assembly



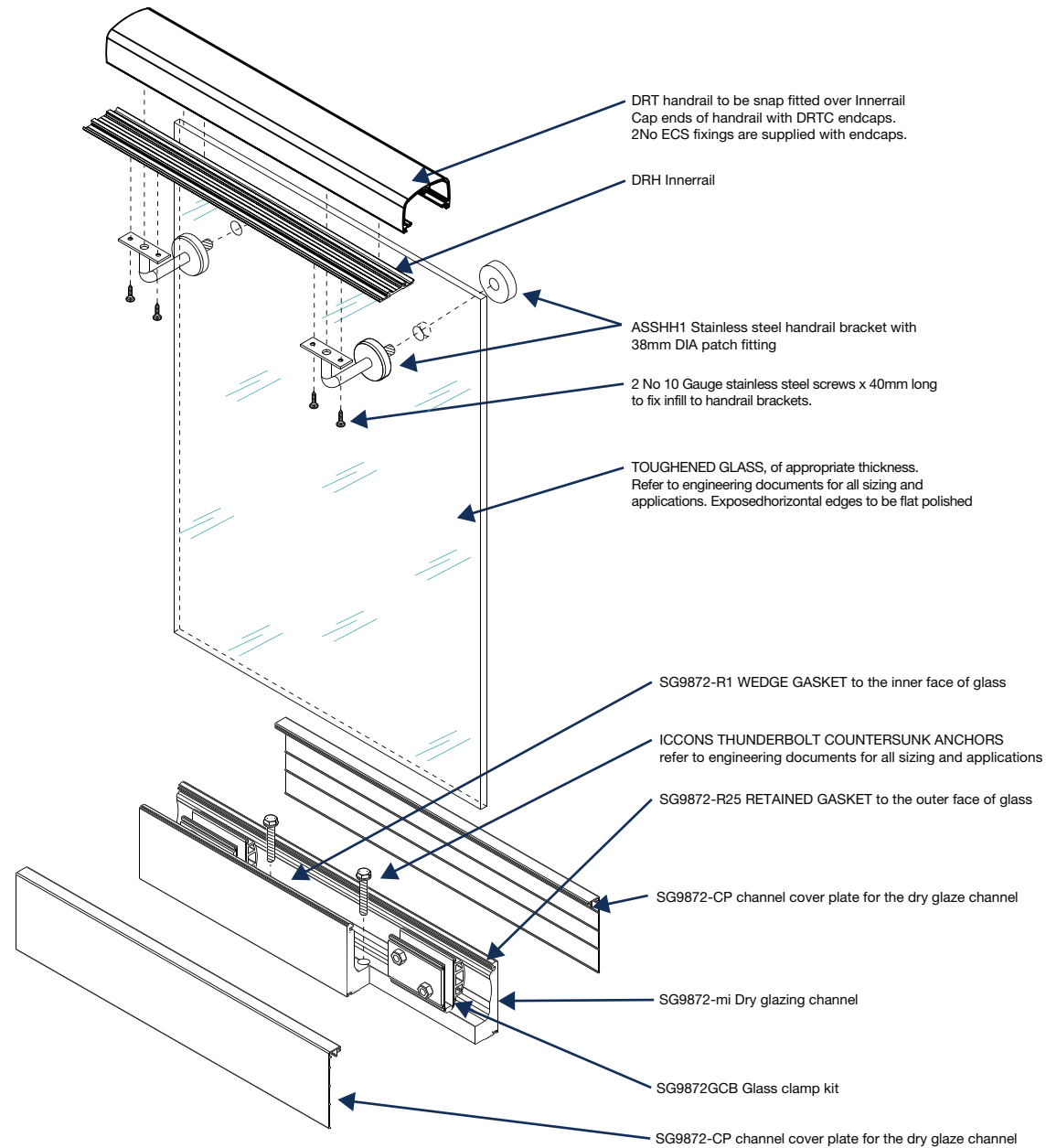
Smart Glaze (SD24-05) Assembly



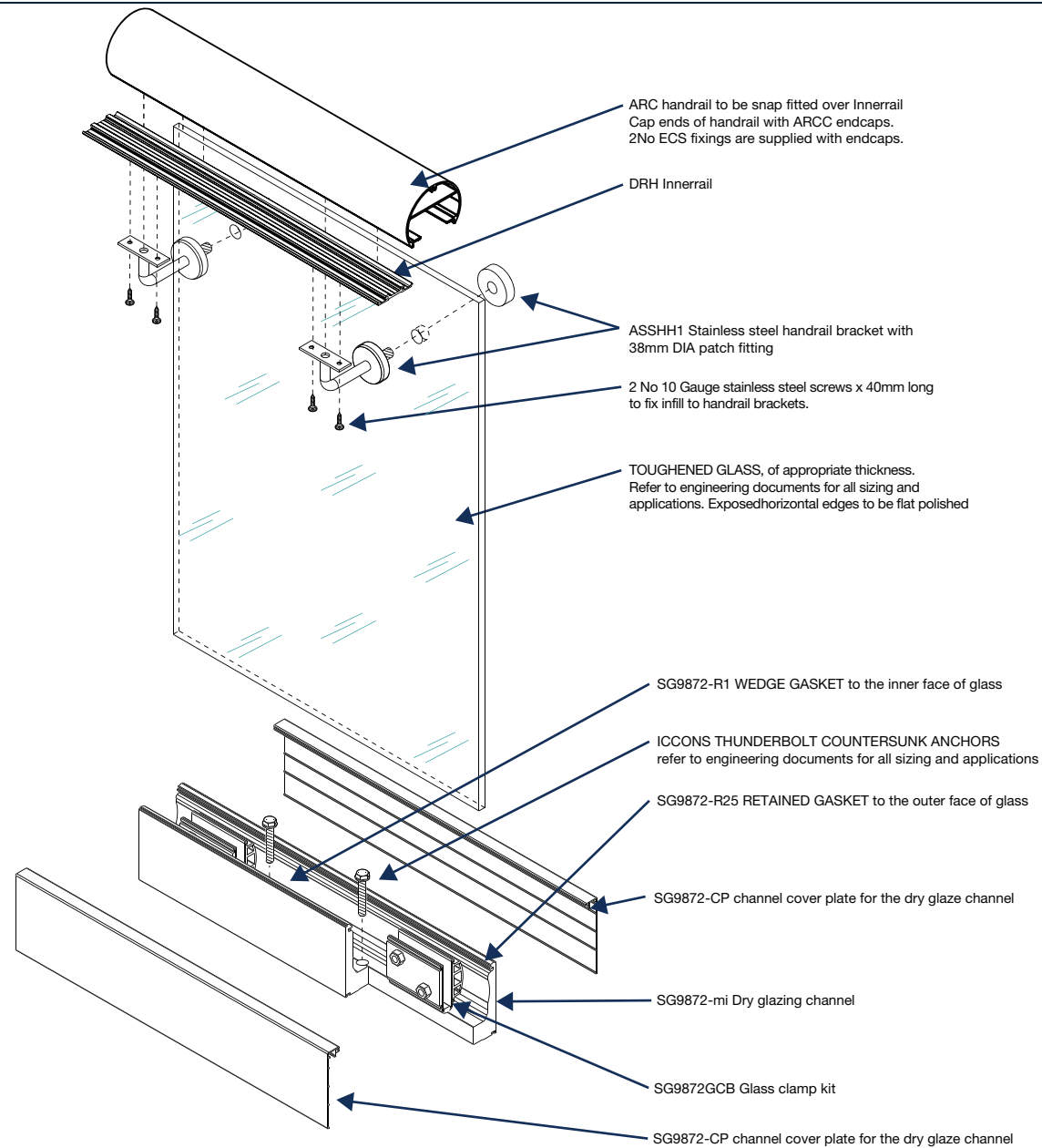
Smart Glaze (SD24-06) Assembly



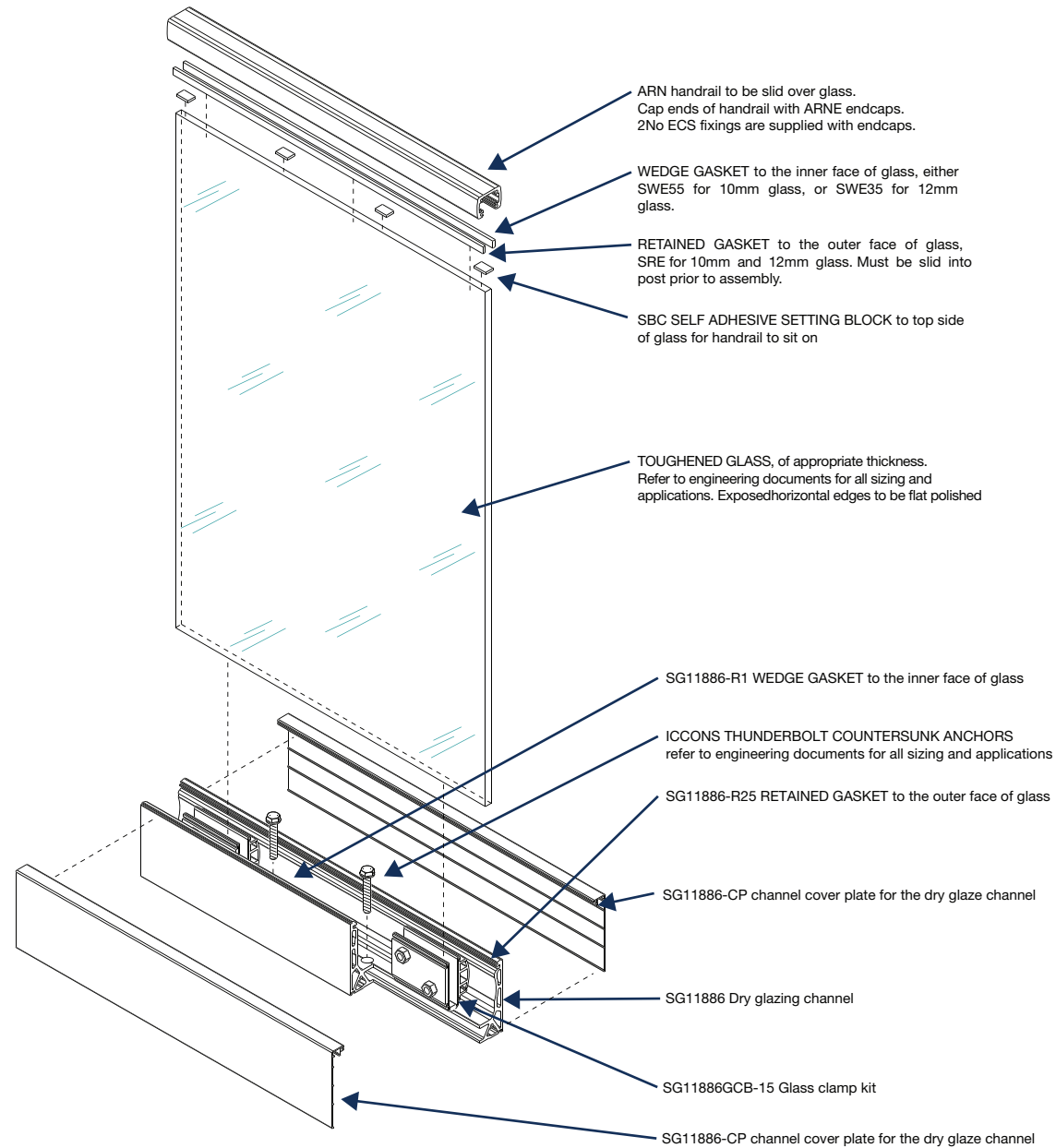
Smart Glaze (SD24-07) Assembly



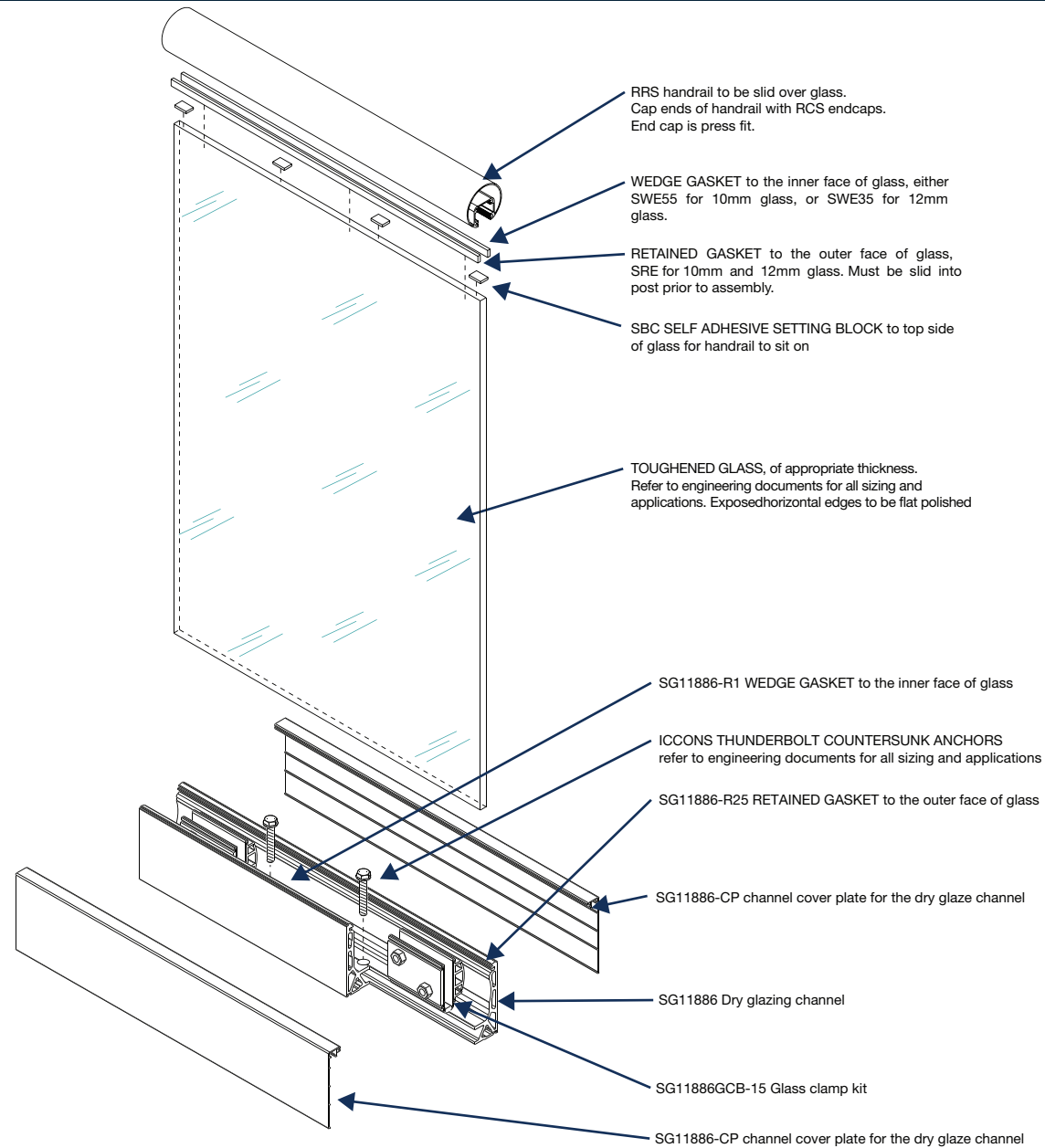
Smart Glaze (SD24-08) Assembly



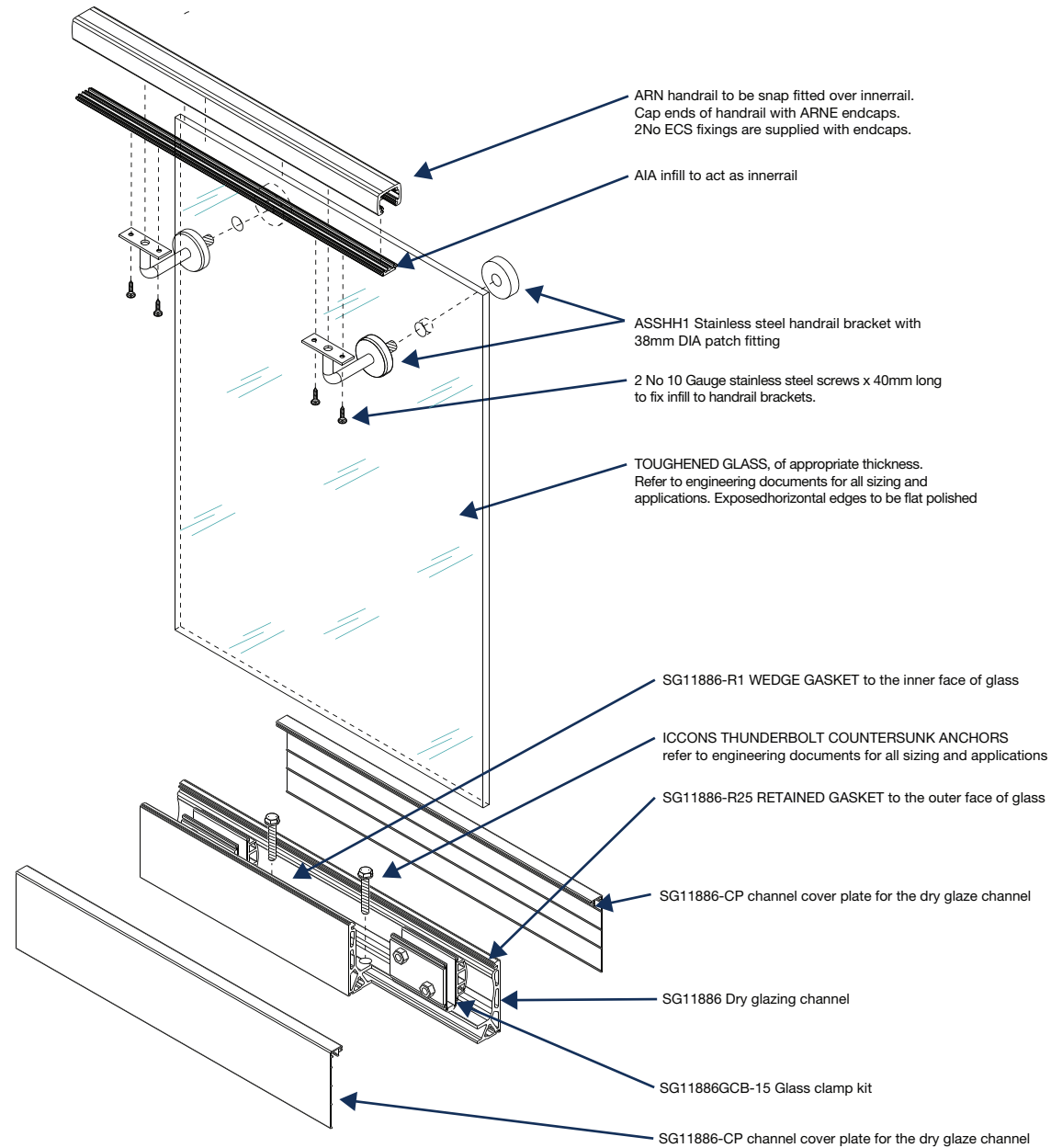
Smart Glaze (SD24-09) Assembly



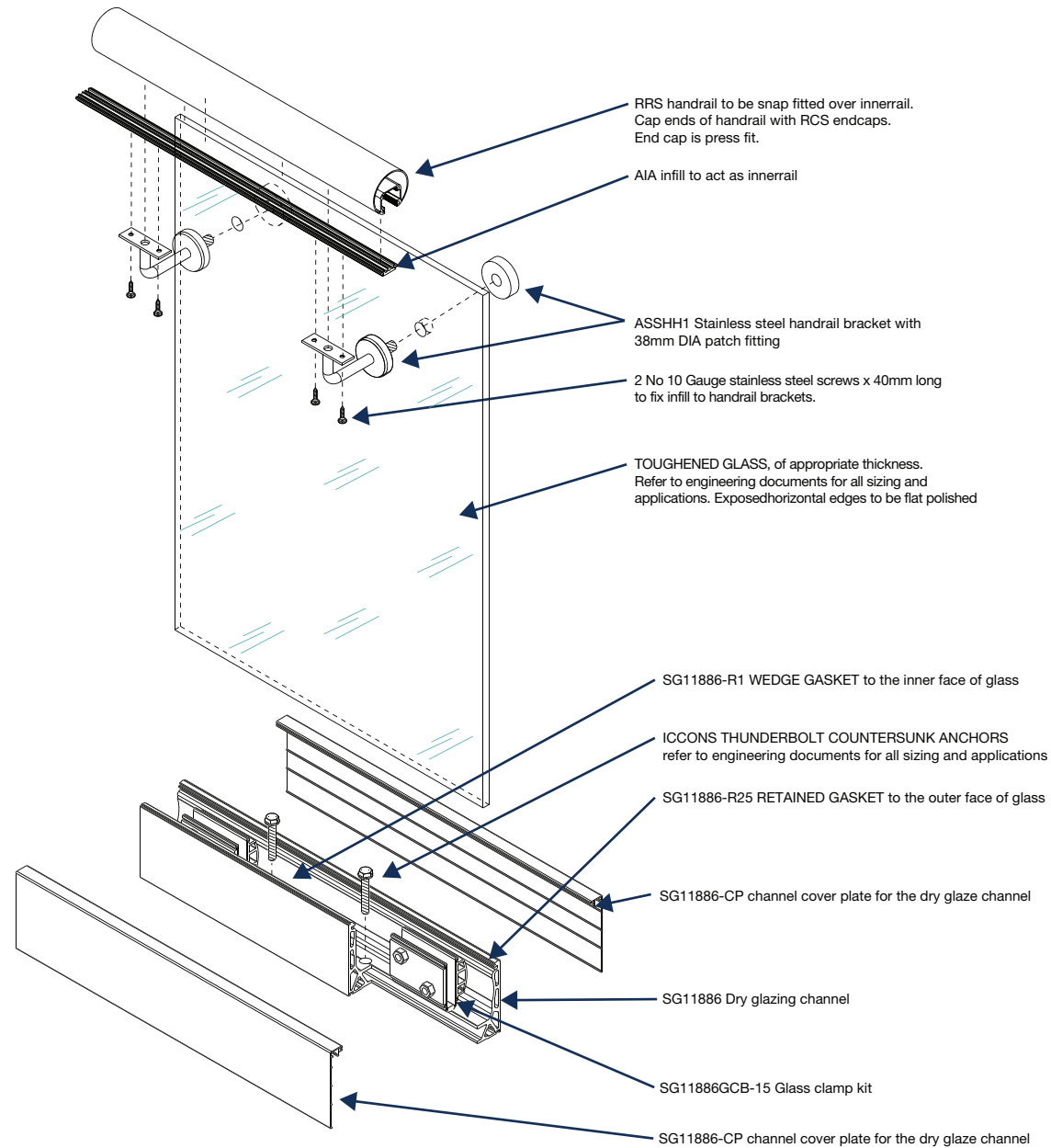
Smart Glaze (SD24-10) Assembly



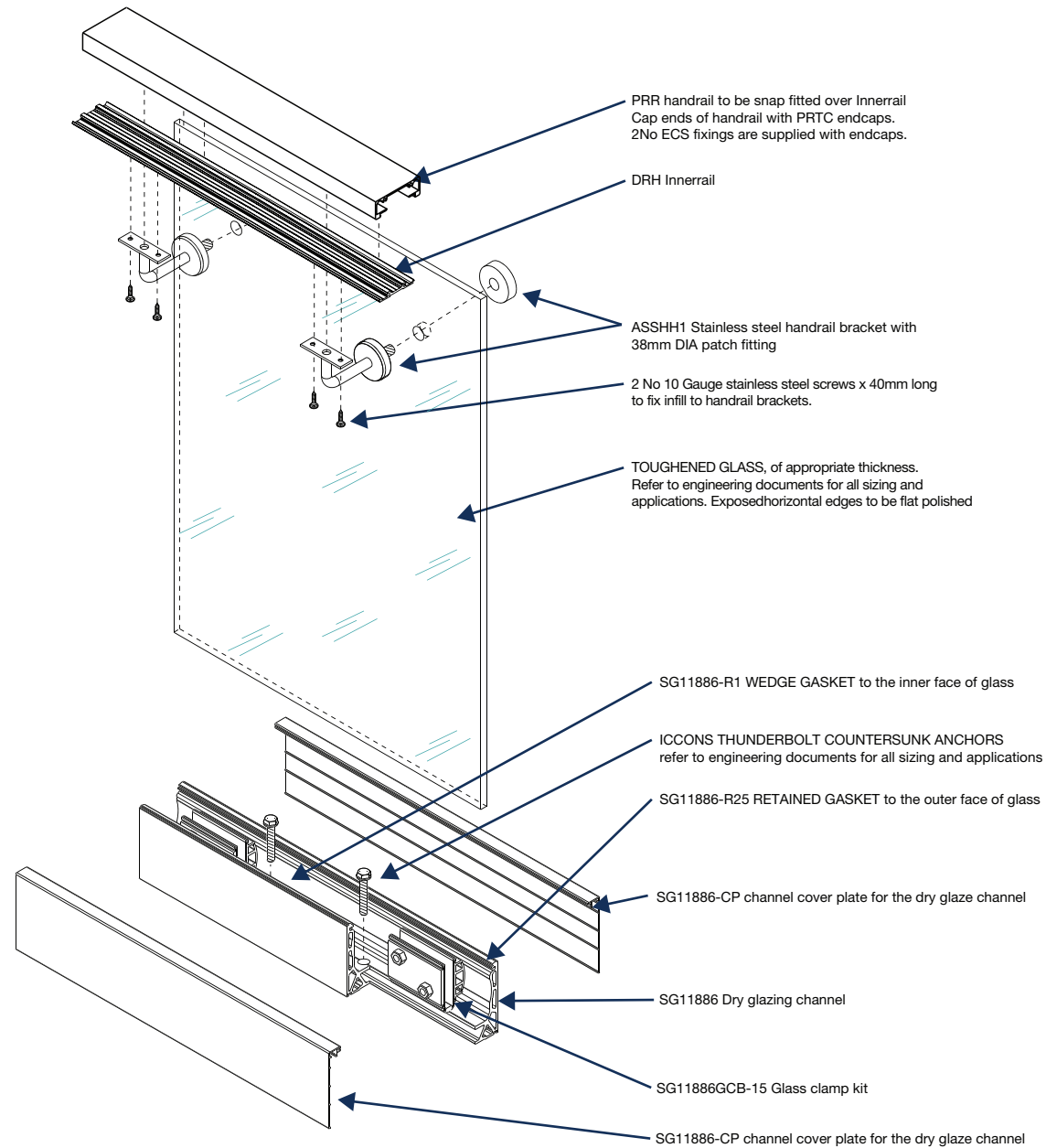
Smart Glaze (SD24-11) Assembly



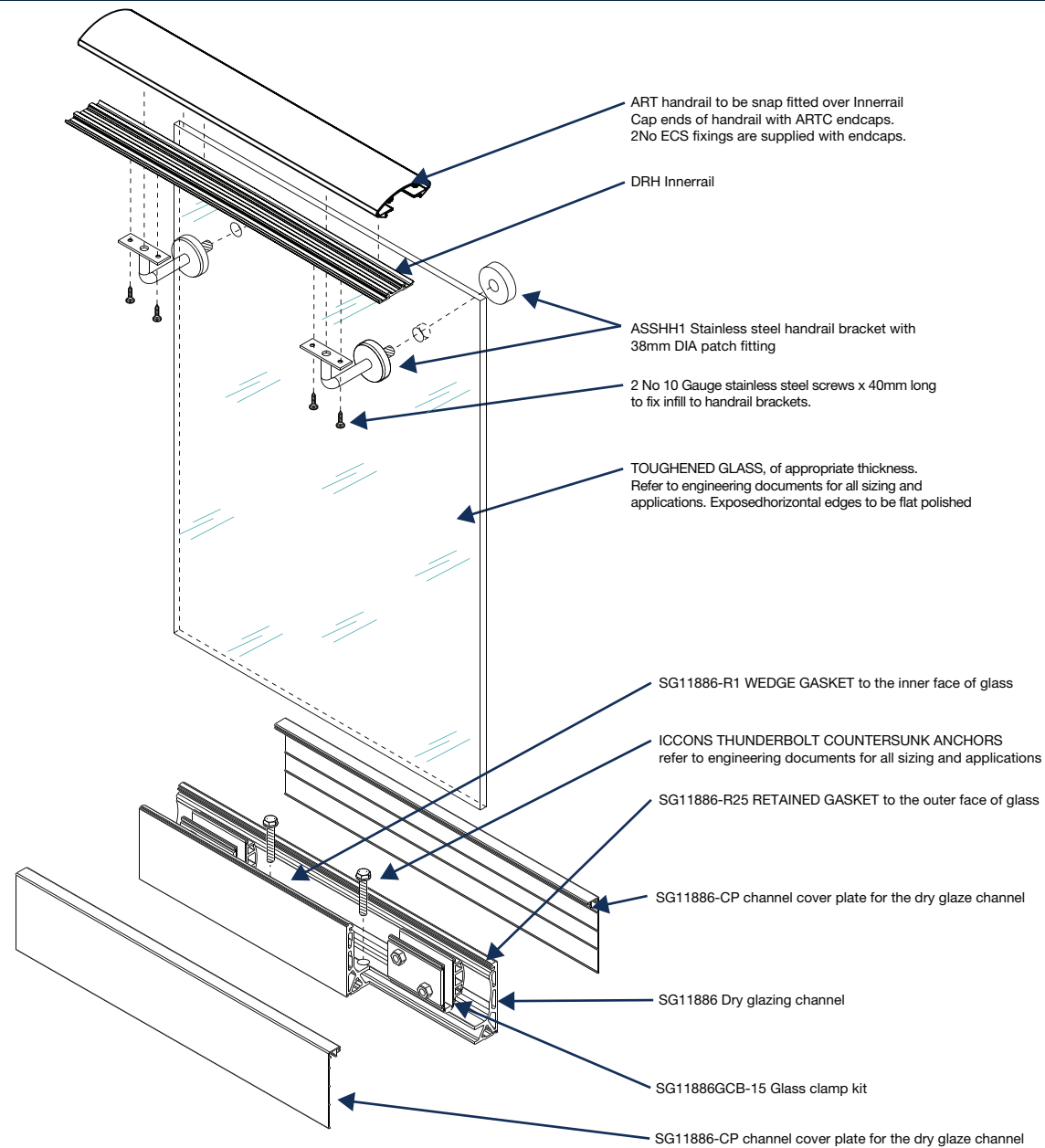
Smart Glaze (SD24-12) Assembly



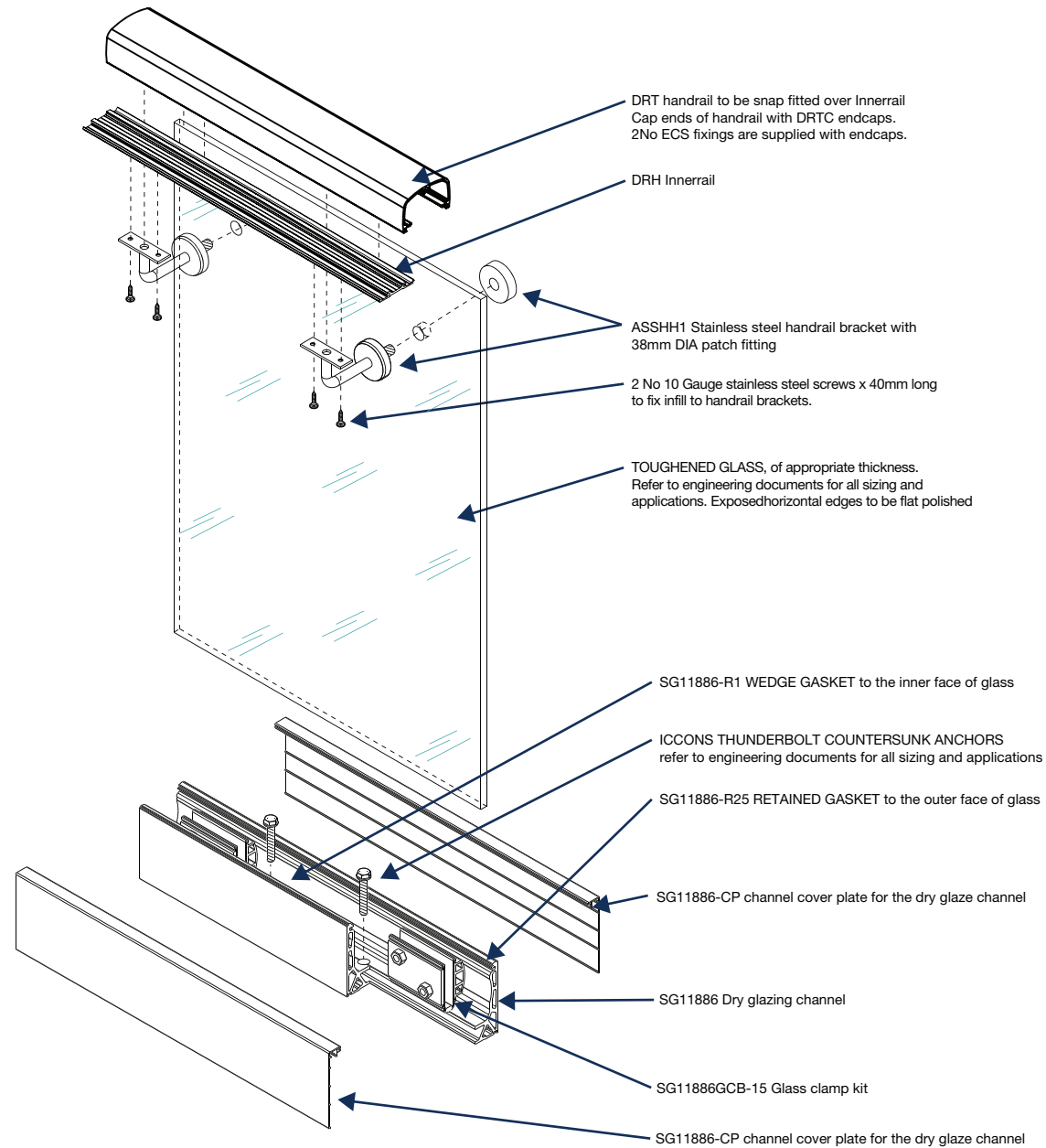
Smart Glaze (SD24-13) Assembly



Smart Glaze (SD24-14) Assembly



Smart Glaze (SD24-15) Assembly



Smart Glaze (SD24-16) Assembly

