

Axiom Installation Guide

SD23 - Eminence



**Surrounded
by Experts.**

TM

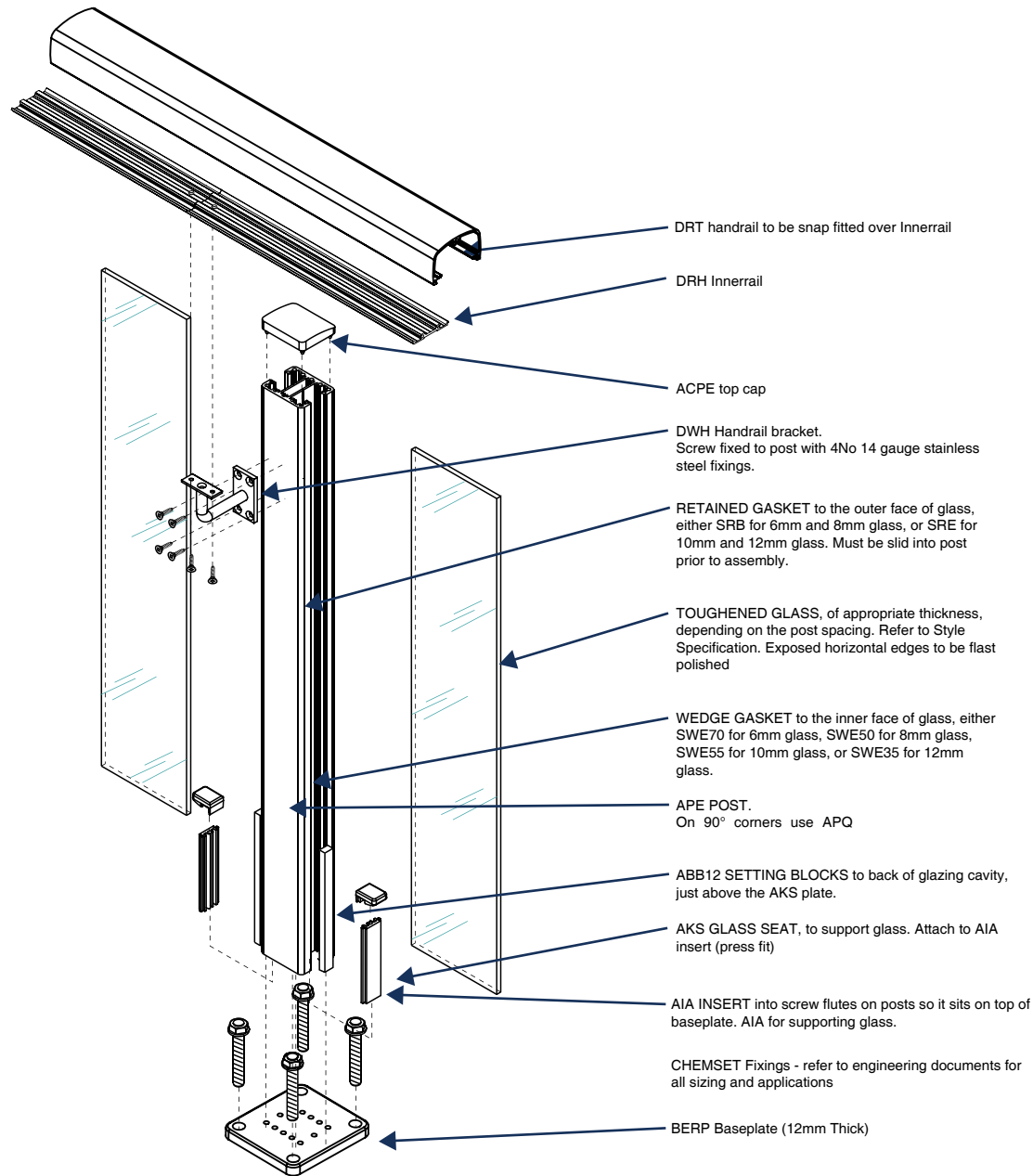
Index

Disclaimer_____ 3
SD23-01 Assembly_____ 4
SD23-01 Baseplate Connecion_____ 5
SD23-02 Assembly_____ 6
SD23-02 Baseplate Connecion_____ 7
SD23-03 Assembly_____ 8
SD23-03 Baseplate Connecion_____ 9
SD23-04 Assembly_____ 10
SD23-04 Baseplate Connecion_____ 11
SD23-05 Assembly_____ 12
SD23-05 Baseplate Connecion_____ 13
SD23-06 Assembly_____ 14
SD23-06 Baseplate Connecion_____ 15
SD23-07 Assembly_____ 16
SD23-07 Baseplate Connecion_____ 17
Innerail connection_____ 18
Glazing Rubber and Gaskets_____ 19

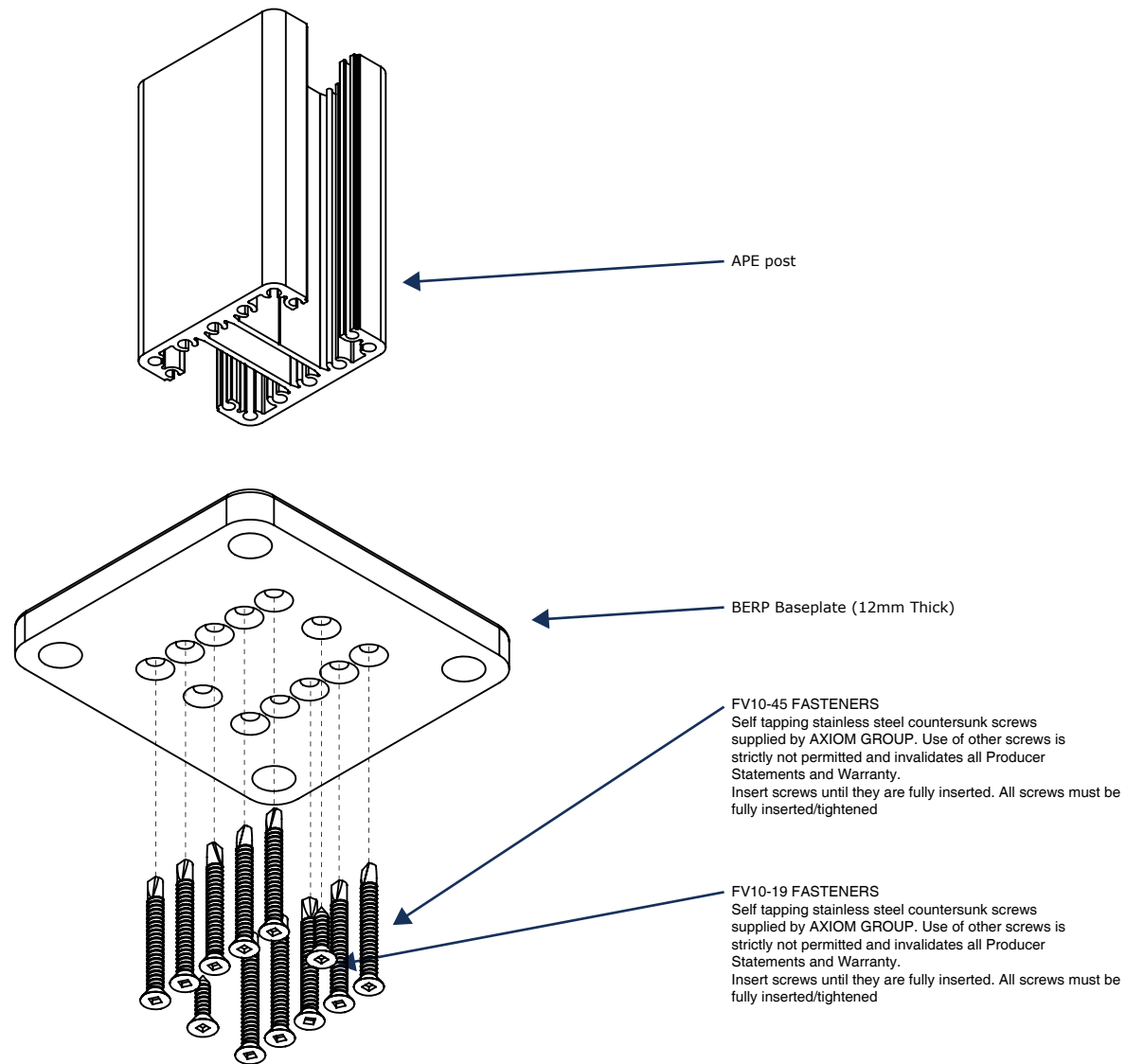
Disclaimer and Important Notes

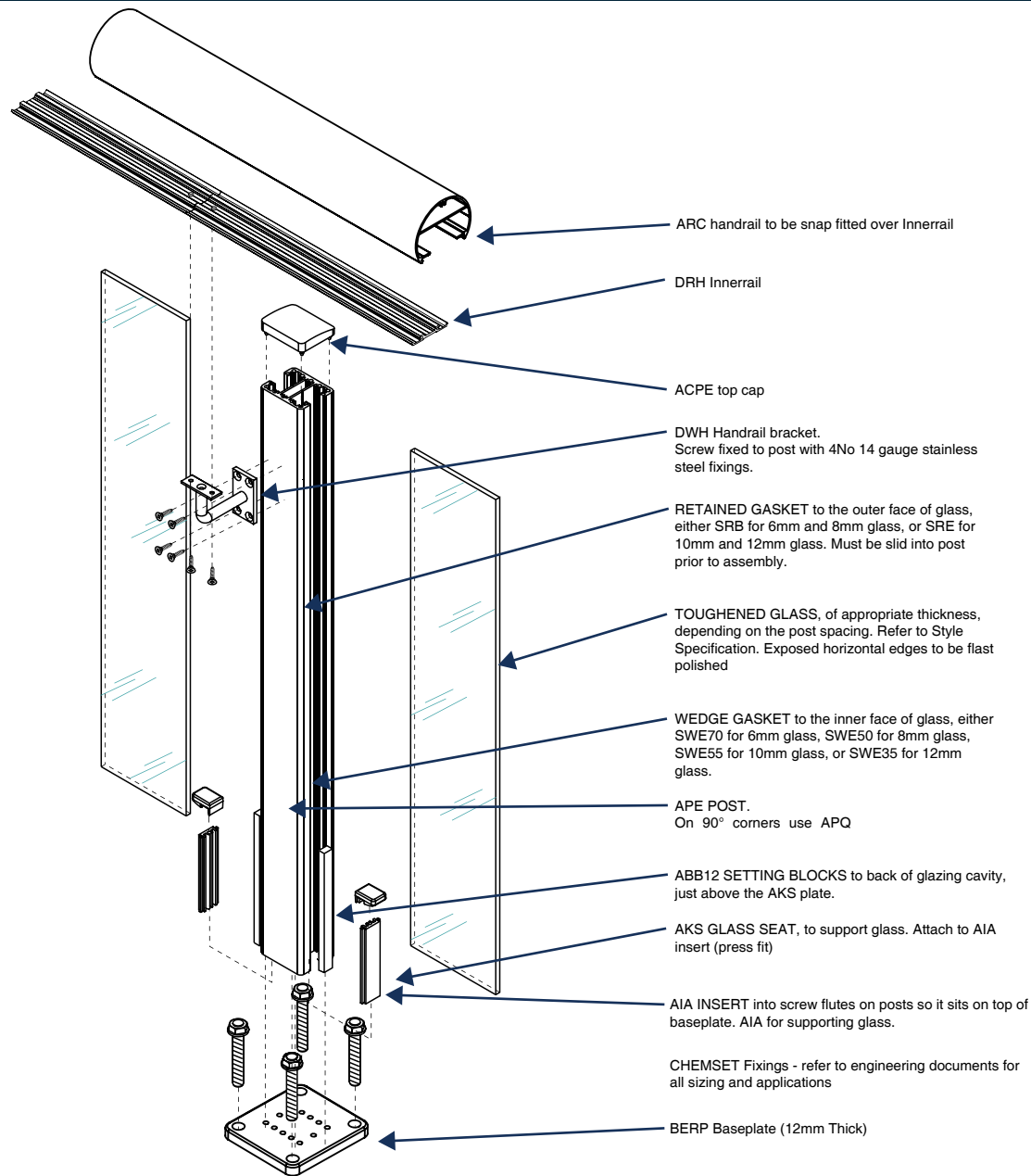
- (a) Except as provided in the Terms, all express and implied warranties, guarantees and conditions under statute or general law as to:
 - (i) merchantability, description, quality, suitability or fitness of the Goods or Services for any purpose; or
 - (ii) design, assembly, installation, materials, workmanship or otherwise,are expressly excluded.
- (b) Axiom is not liable for physical or financial injury, loss or damage or consequential loss or damage of any kind arising out of:
 - (i) the supply, layout, assembly, installation or operation of the Goods or Services; or
 - (ii) Axiom's negligence or other act or omission.
- (c) In addition to, and without in any way limiting, paragraphs (a) and (b) above, and notwithstanding that Axiom may provide engineering drawings, which (if it does) must be read in conjunction with Axiom's installation instructions:
 - (i) it is the Customer's responsibility to comply with all Australian laws, all Standards (including but not limited to AS1288 and AS1170.1), the Building Code and the requirements of all relevant authorities;
 - (ii) the Customer must ensure that any existing structures or substrates to which the Goods are being affixed to are verified by a project engineer as structurally suitable to safely support the Goods or any other items being affixed to the structures or substrates; and
 - (iii) the Customer must fully insert and tighten all fasteners (including but not limited to baseplate screws) before installation of the Goods.

Eminence (SD23-01) Assembly

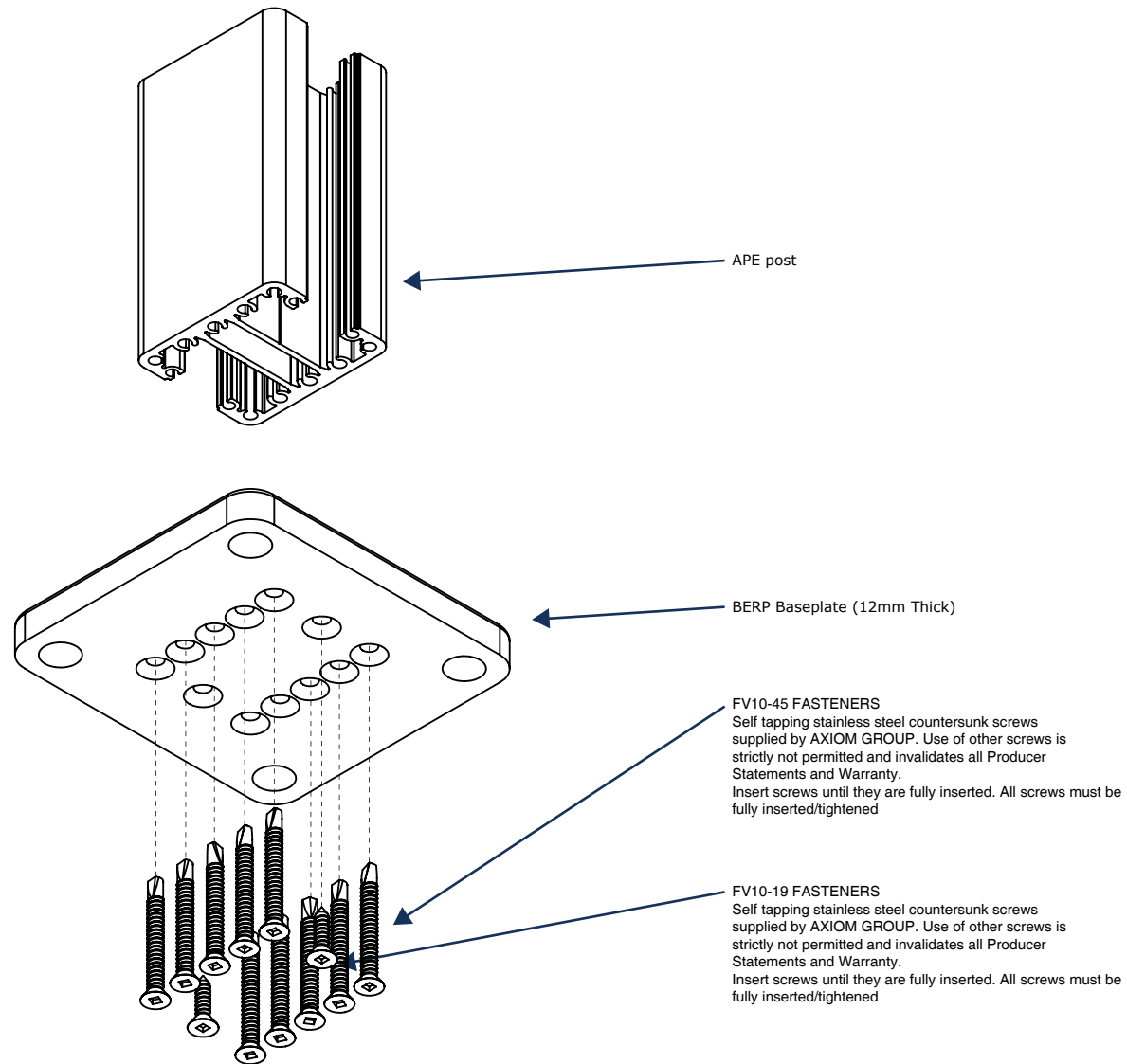


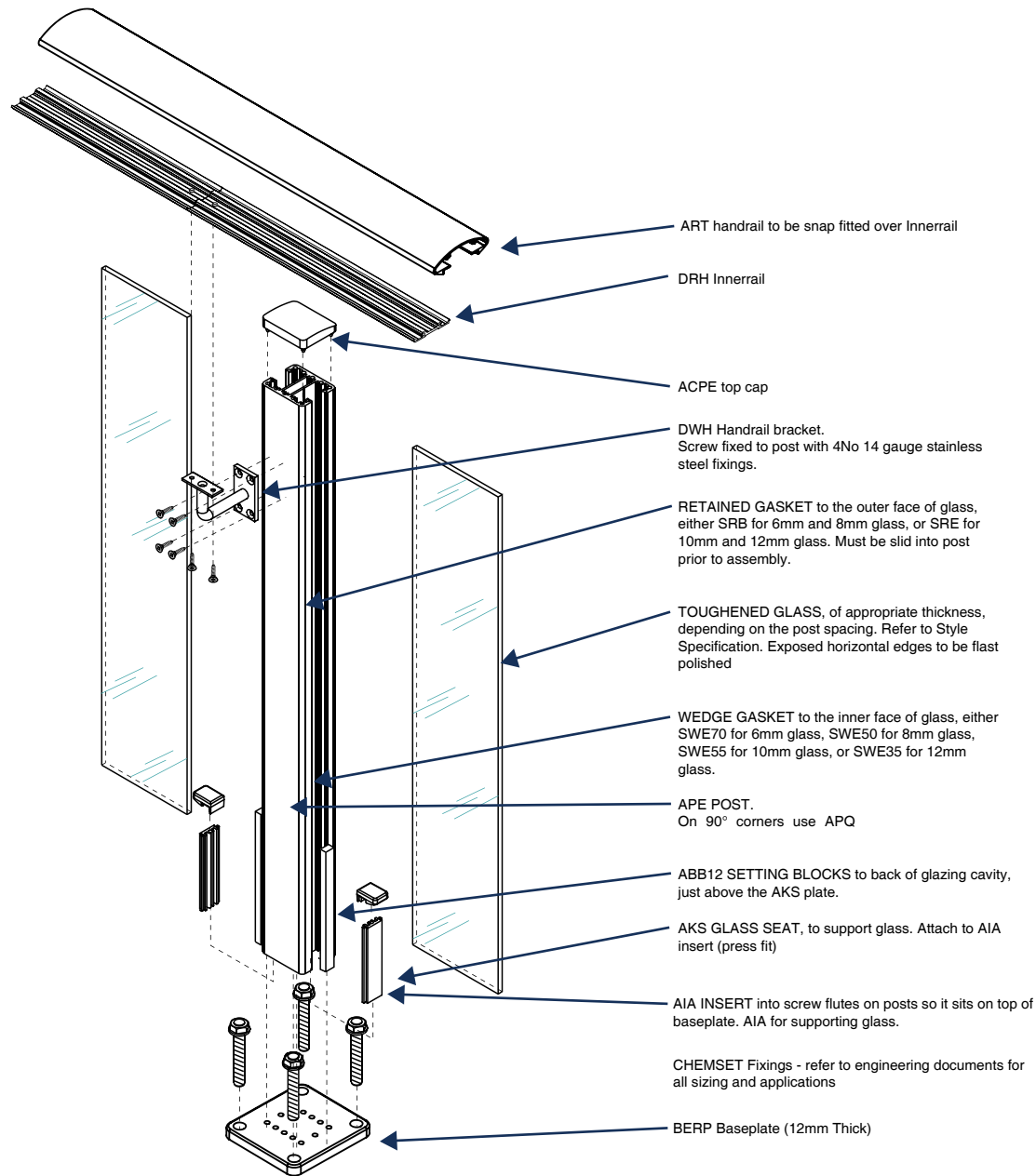
Eminence (SD23-01) Baseplate connection



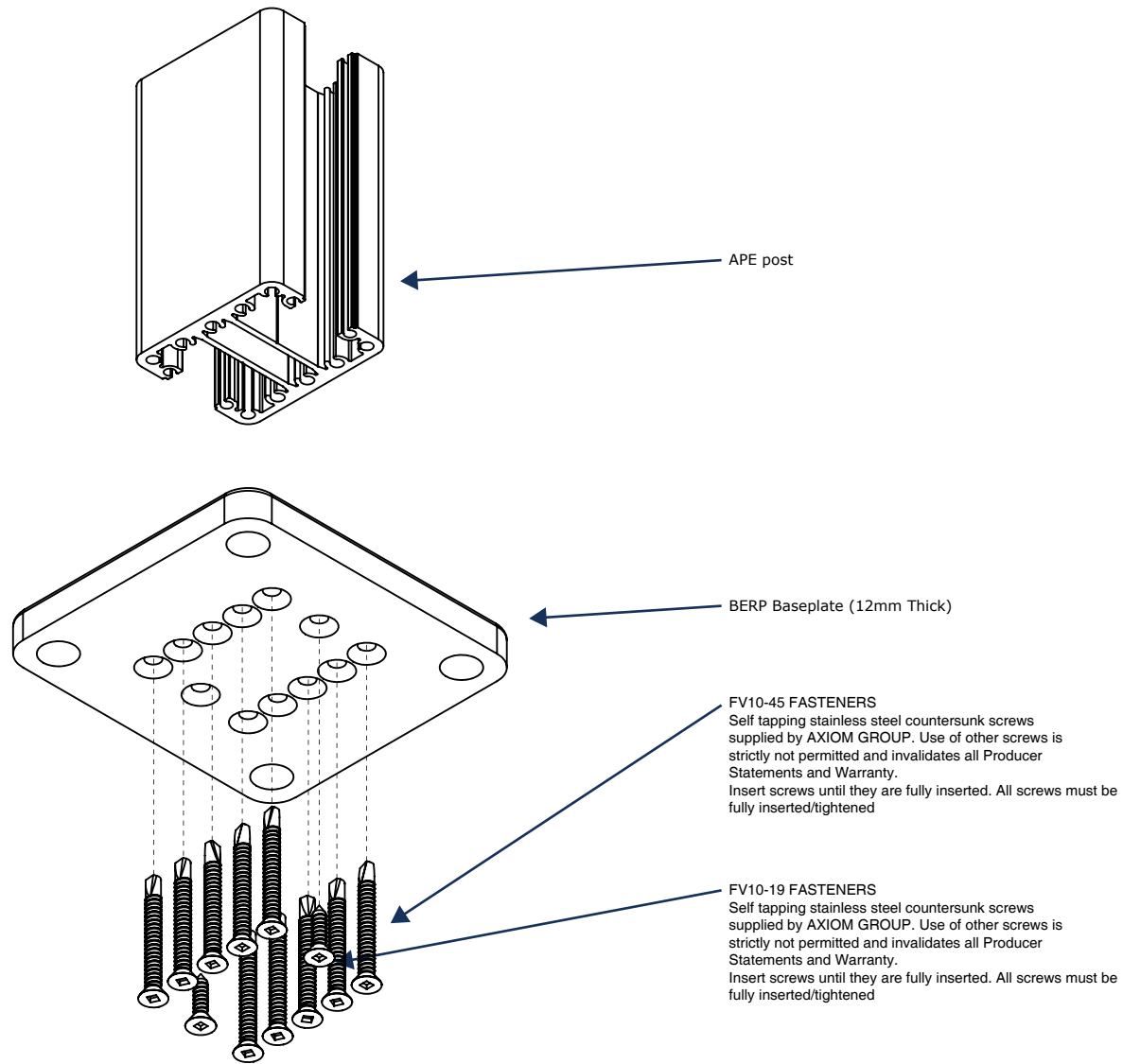


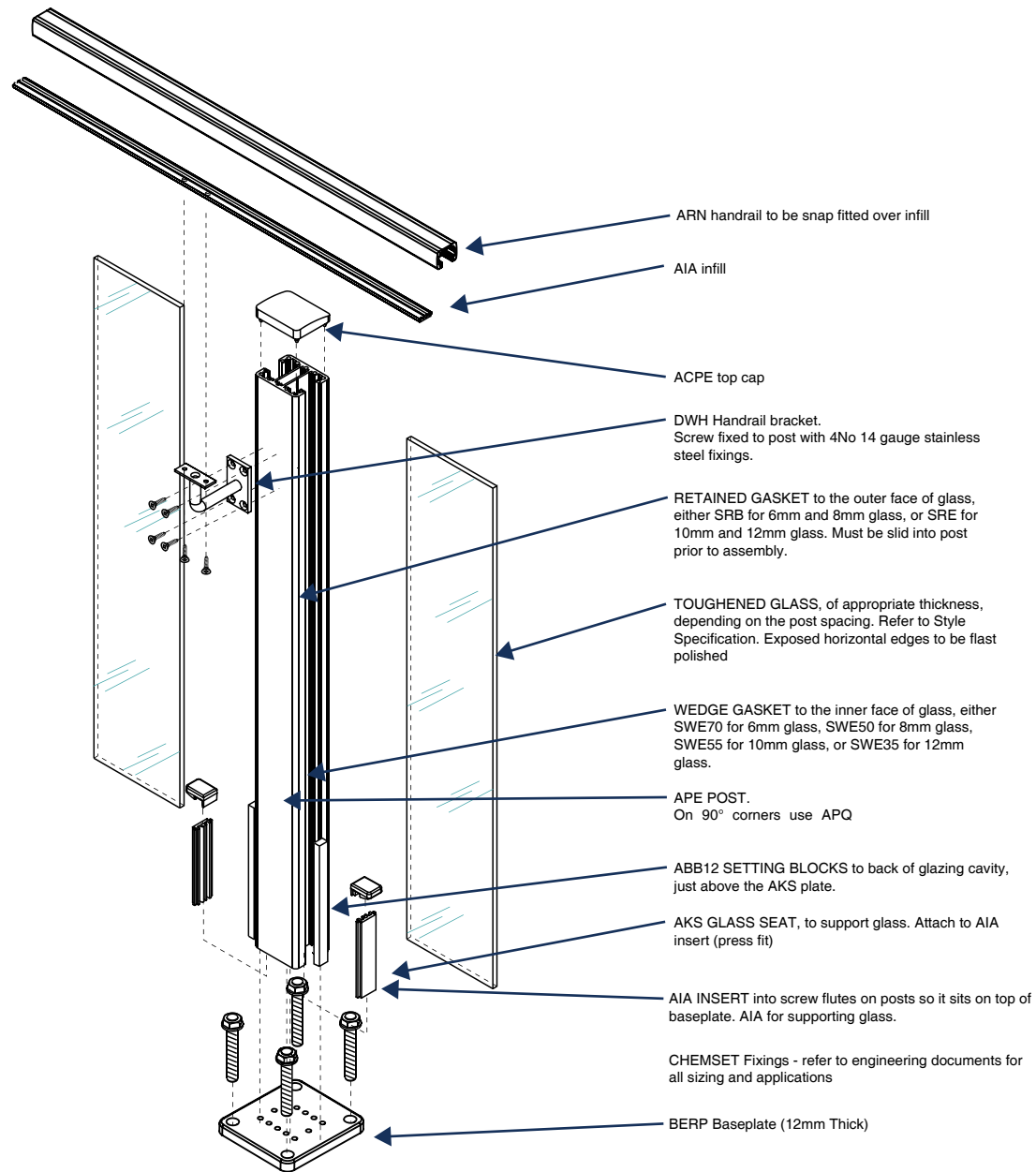
Eminence (SD23-02) Baseplate connection



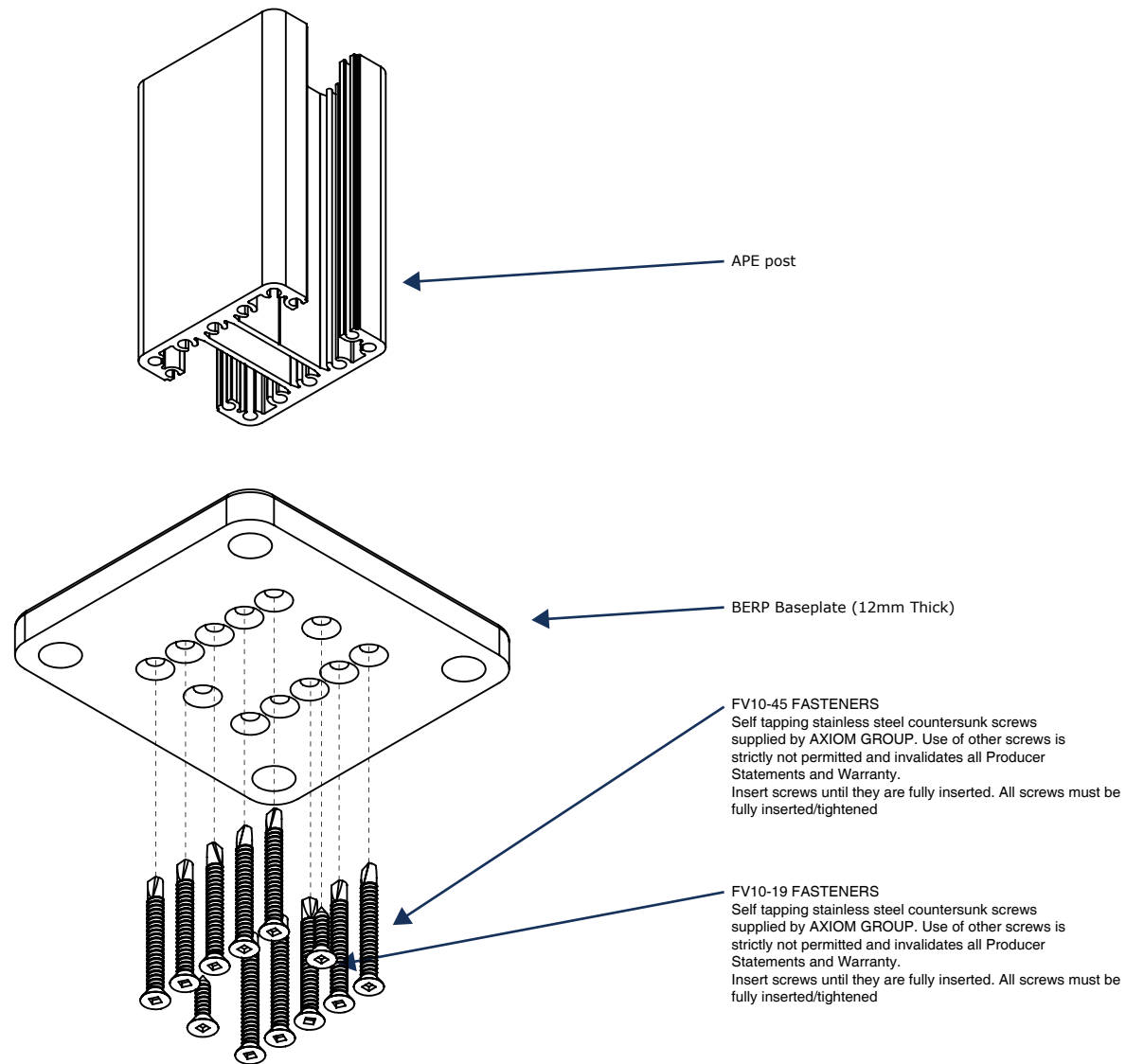


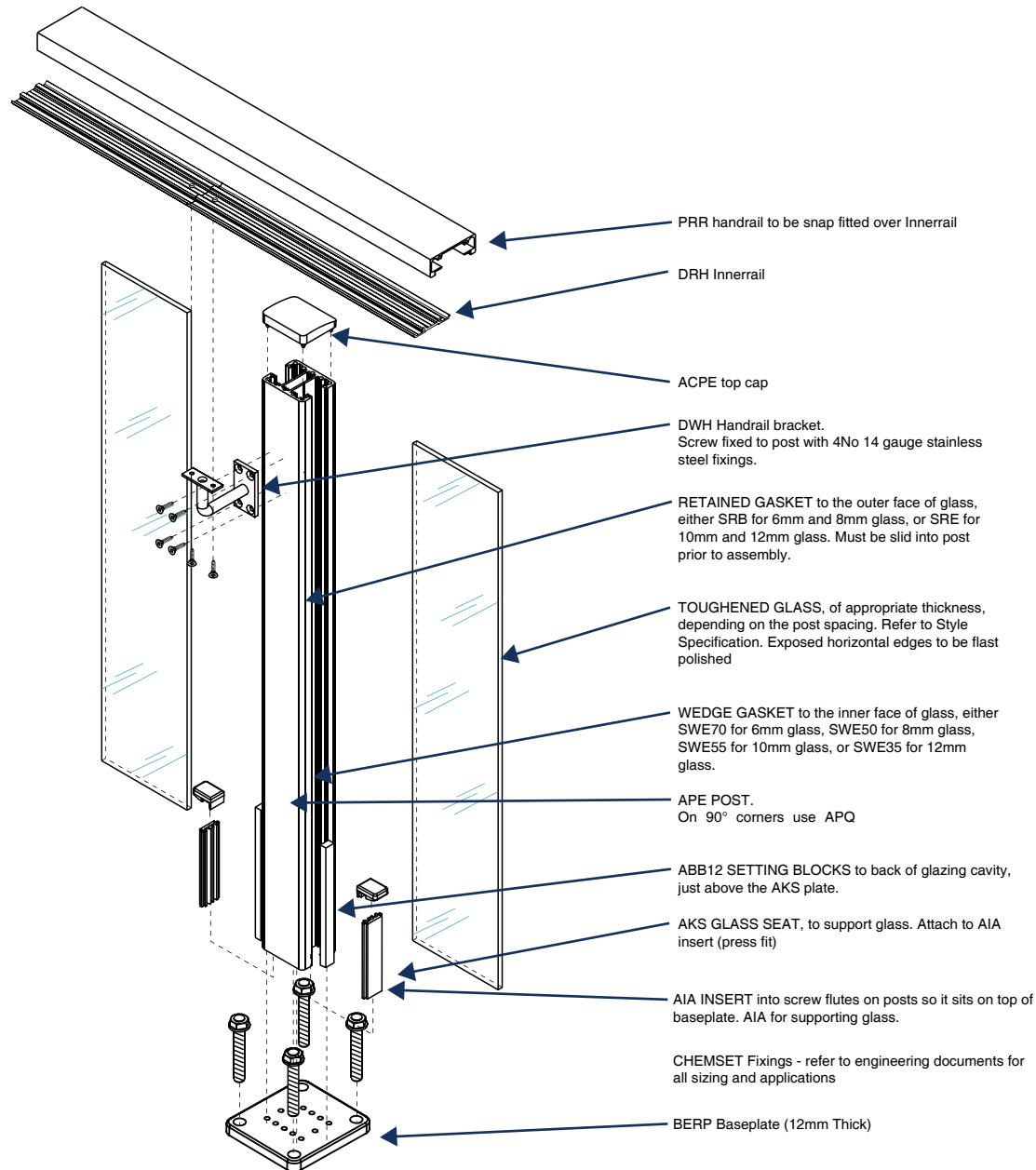
Eminence (SD23-03) Baseplate connection



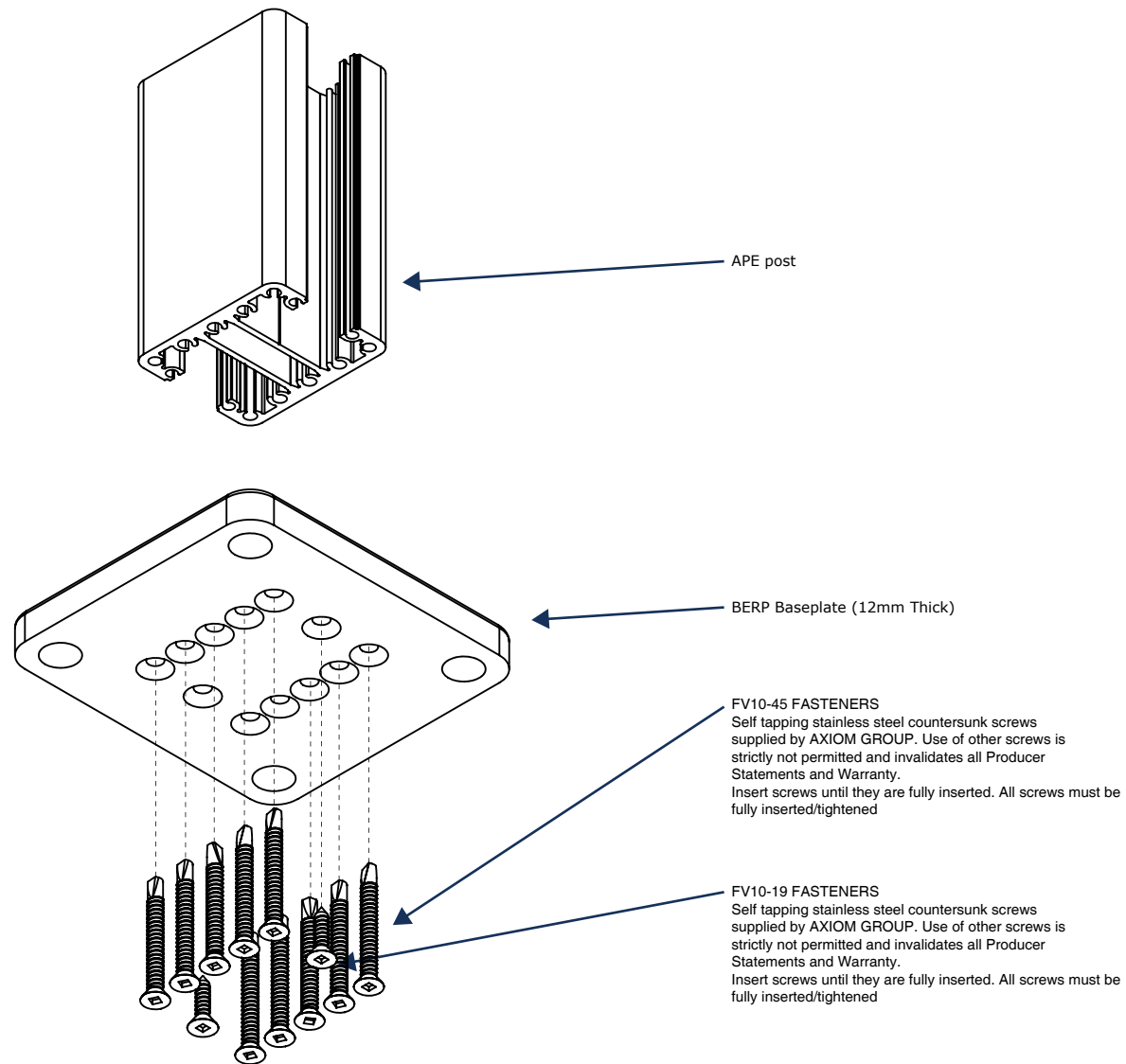


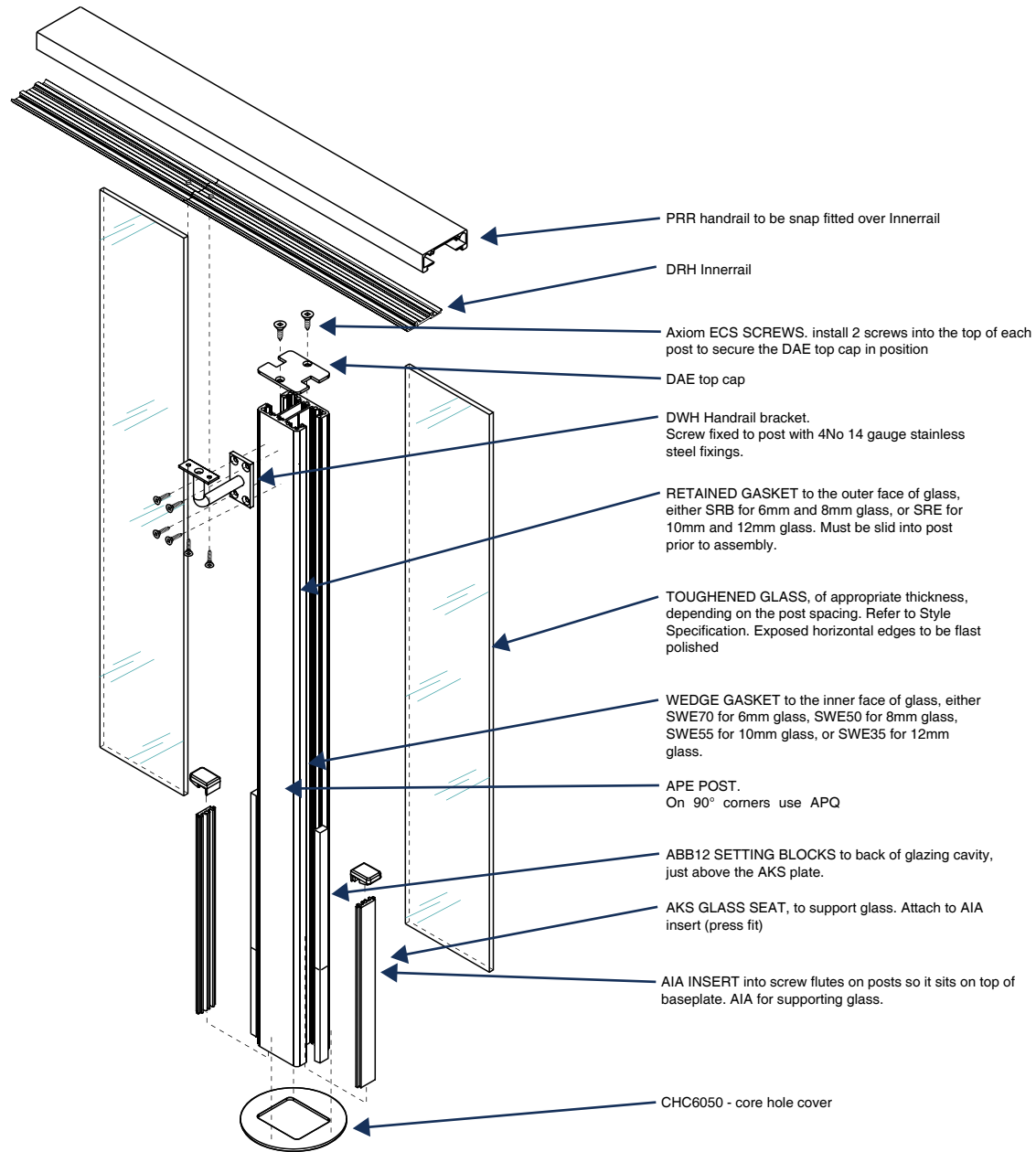
Eminence (SD23-04) Baseplate connection



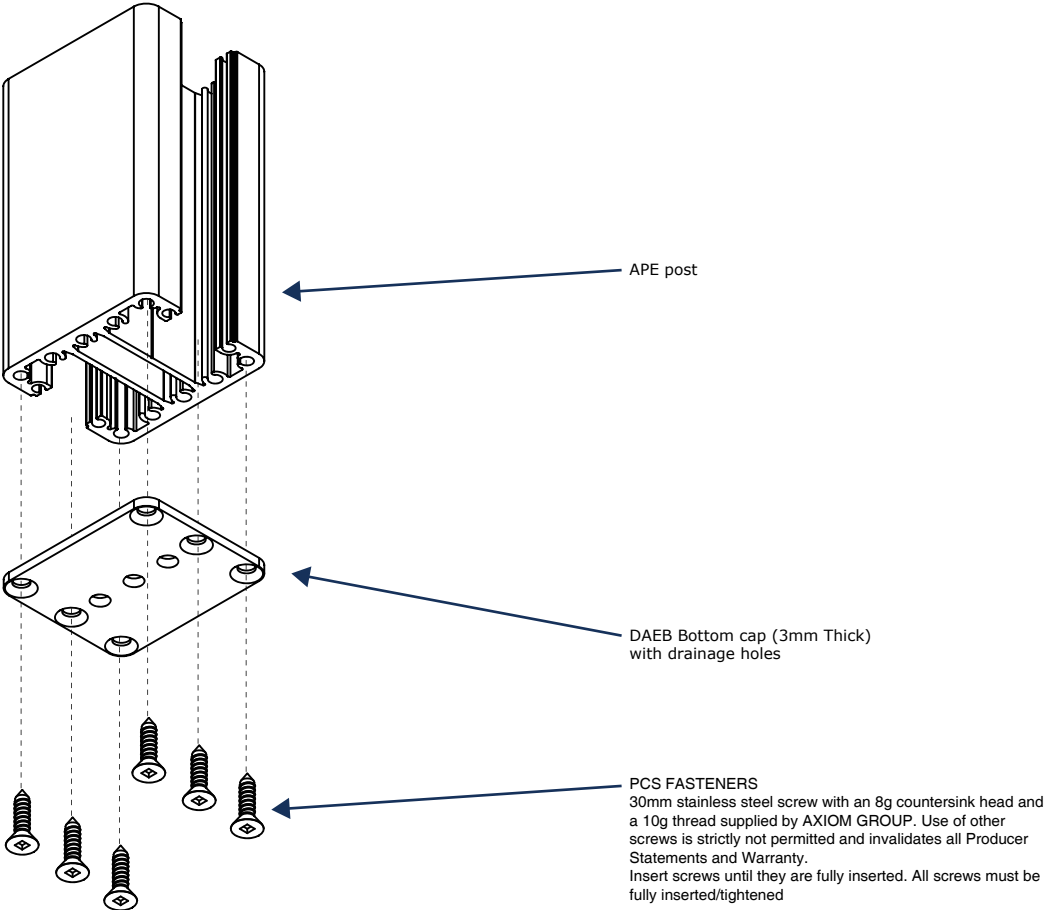


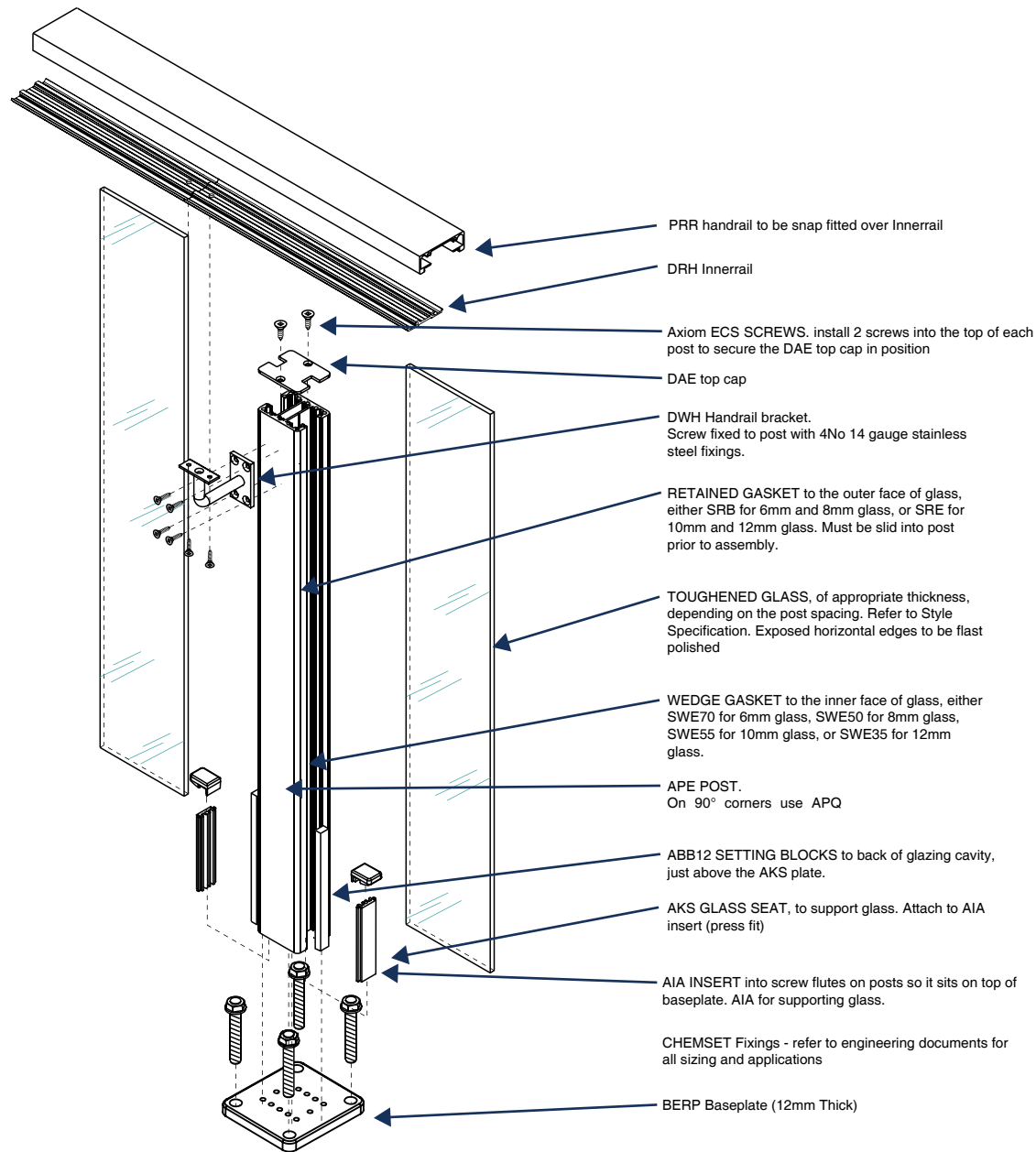
Eminence (SD23-05) Baseplate connection



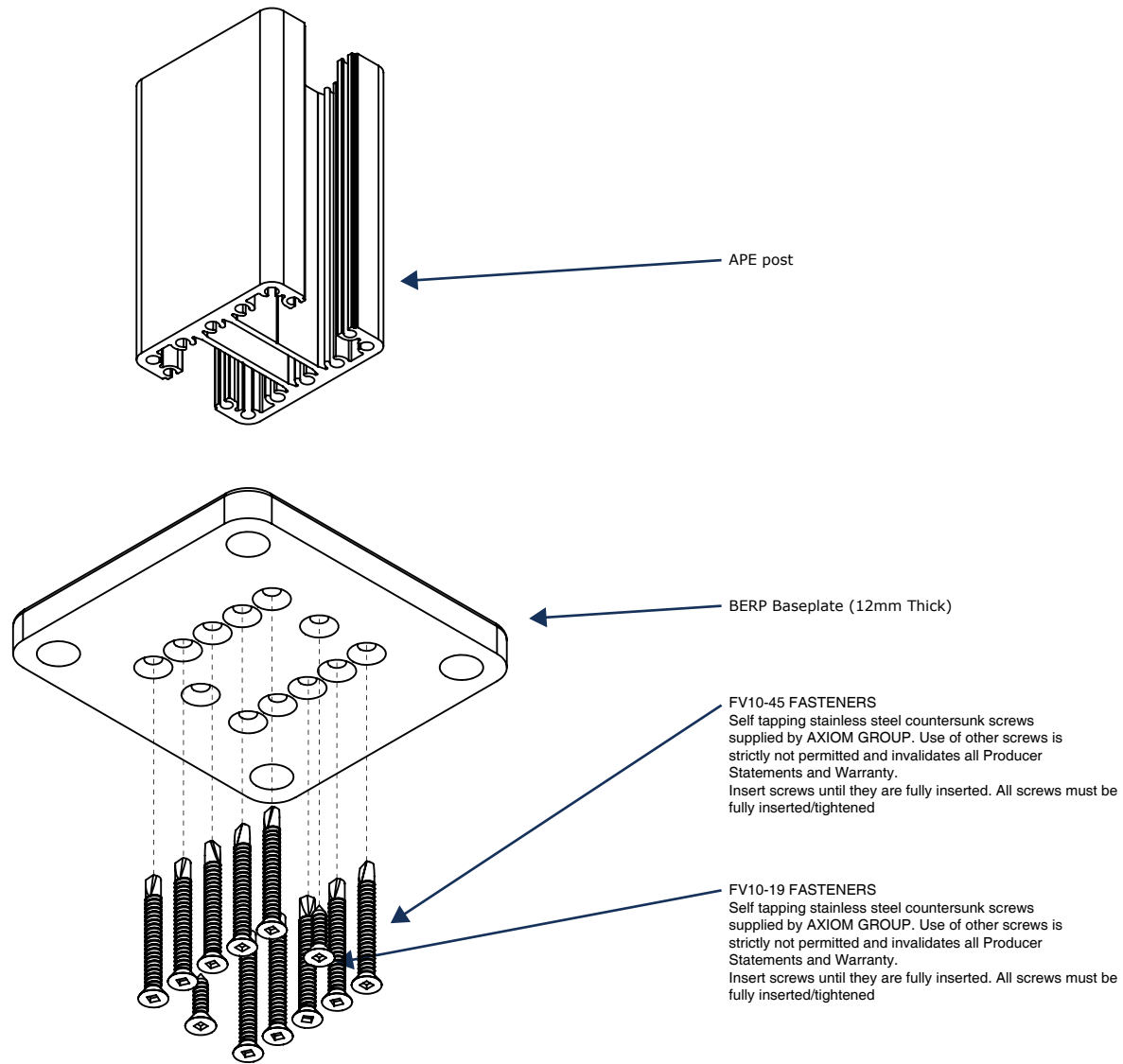


Eminence (SD23-06) Bottom cap connection





Eminence (SD23-07) Baseplate connection



Eminence Handrail bracket & Innerrail Connection

FIG 1. HANDRAIL BRACKET TO POST CONNECTION

DWHMP, RECTANGULAR MULLION PLATE (NOM. 70 x 38 x 6mm TH.). FIX TO POST WITH 4 N°.14 GAUGE STAINLESS STEEL SCREWS x 20 LONG

FIG 2. INNER RAIL TO HANDRAIL BRACKET CONNECTION

DRH INNER RAIL INFILL FIXED TO BRACKET WITH 2 N°.10 GAUGE STAINLESS STEEL SCREWS x 20 LONG.

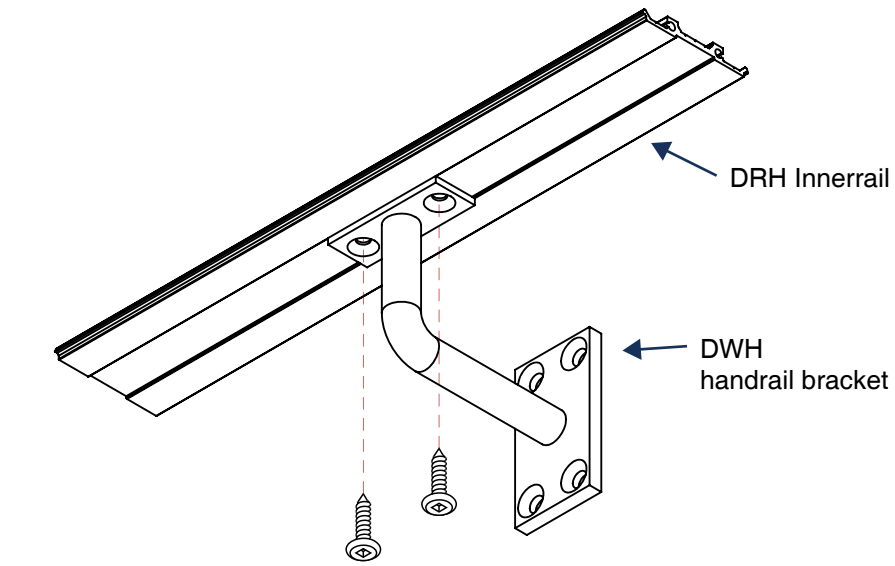


FIG. 2

2 N°.10 GAUGE
STAINLESS STEEL
SCREWS x 20 LONG.

4 N°.14 GAUGE
STAINLESS
STEEL SCREWS x

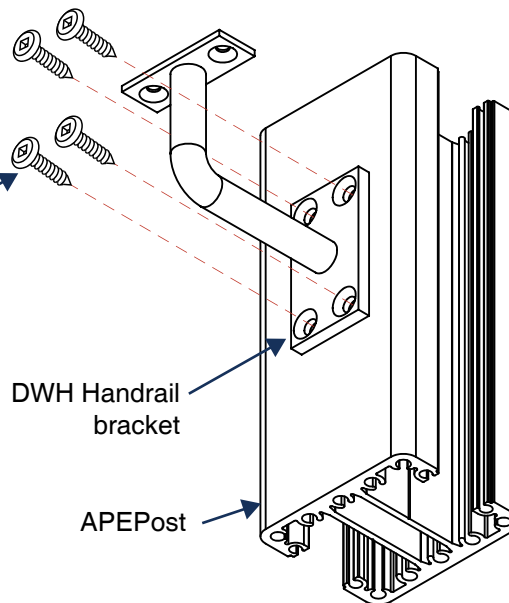


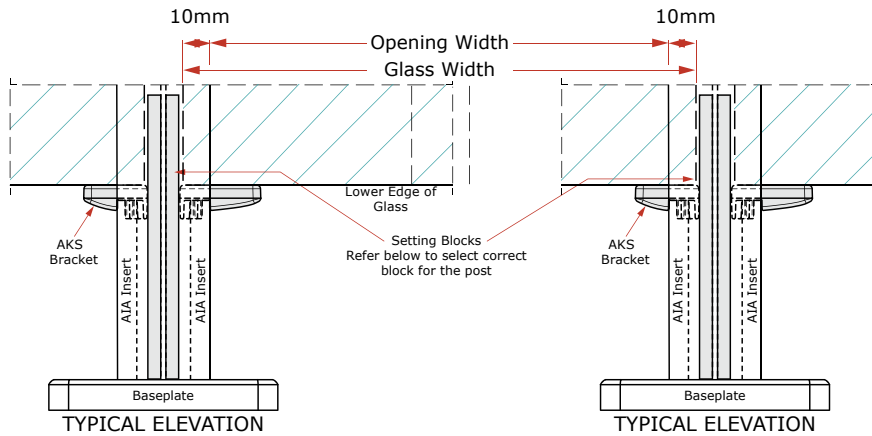
FIG. 1

GLAZING

This section covers the measuring and installation of the glass panes. Ensure the correct thickness of toughened glass is used.

INSTALL GLASS

Glass is to be installed by shuffle glazing. Fit Setting block within the post to ensure glass is blocked in accordance with AS1288 and can not dislodge



RETAINED GLAZING GASKET

Install the correct retained glazing gasket. Refer table below.

Glazing Gasket Guide		
Glass Thickness	External Rubber	Internal Rubber
6mm	SRB	SWE70
10mm	SRE	SWE55
12mm	SRE	SWE35

