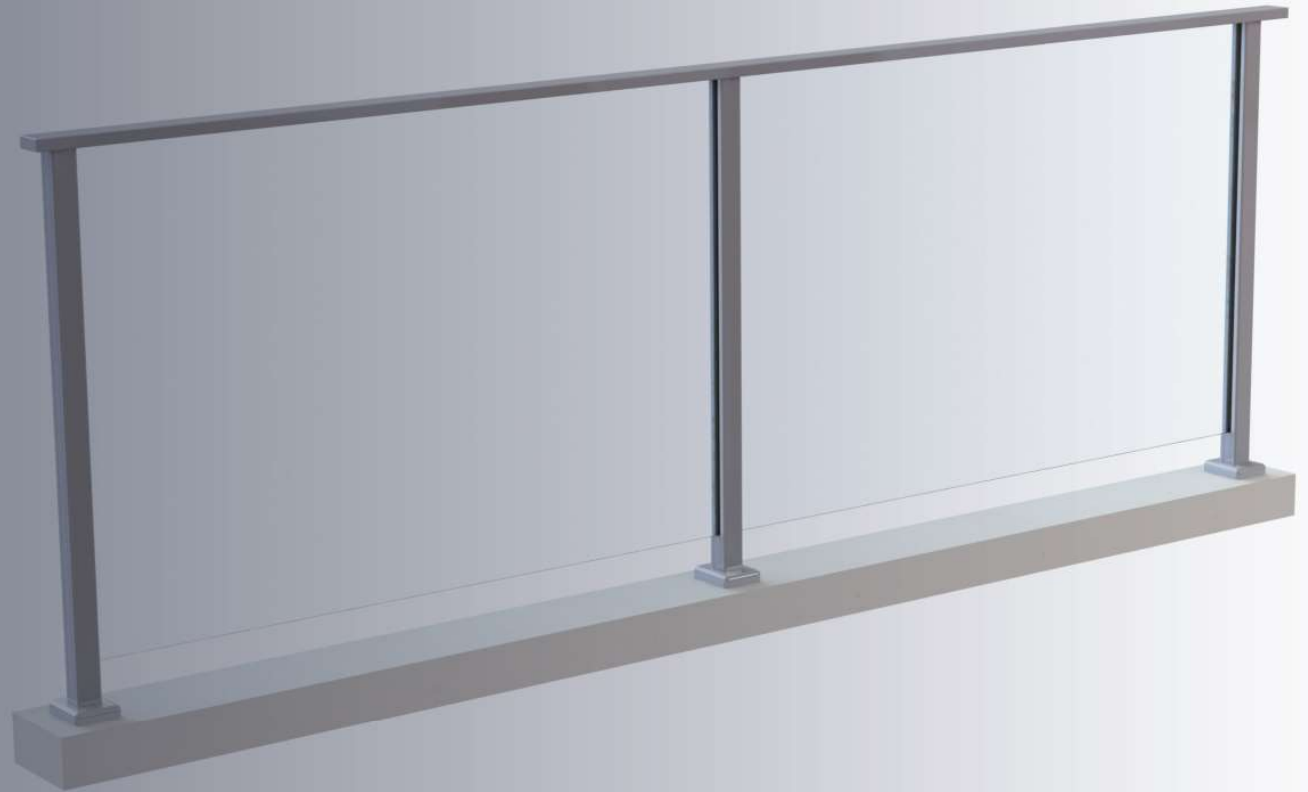


# Axiom Installation Guide

SD12 - Neo



**Surrounded  
by Experts.**

TM

---

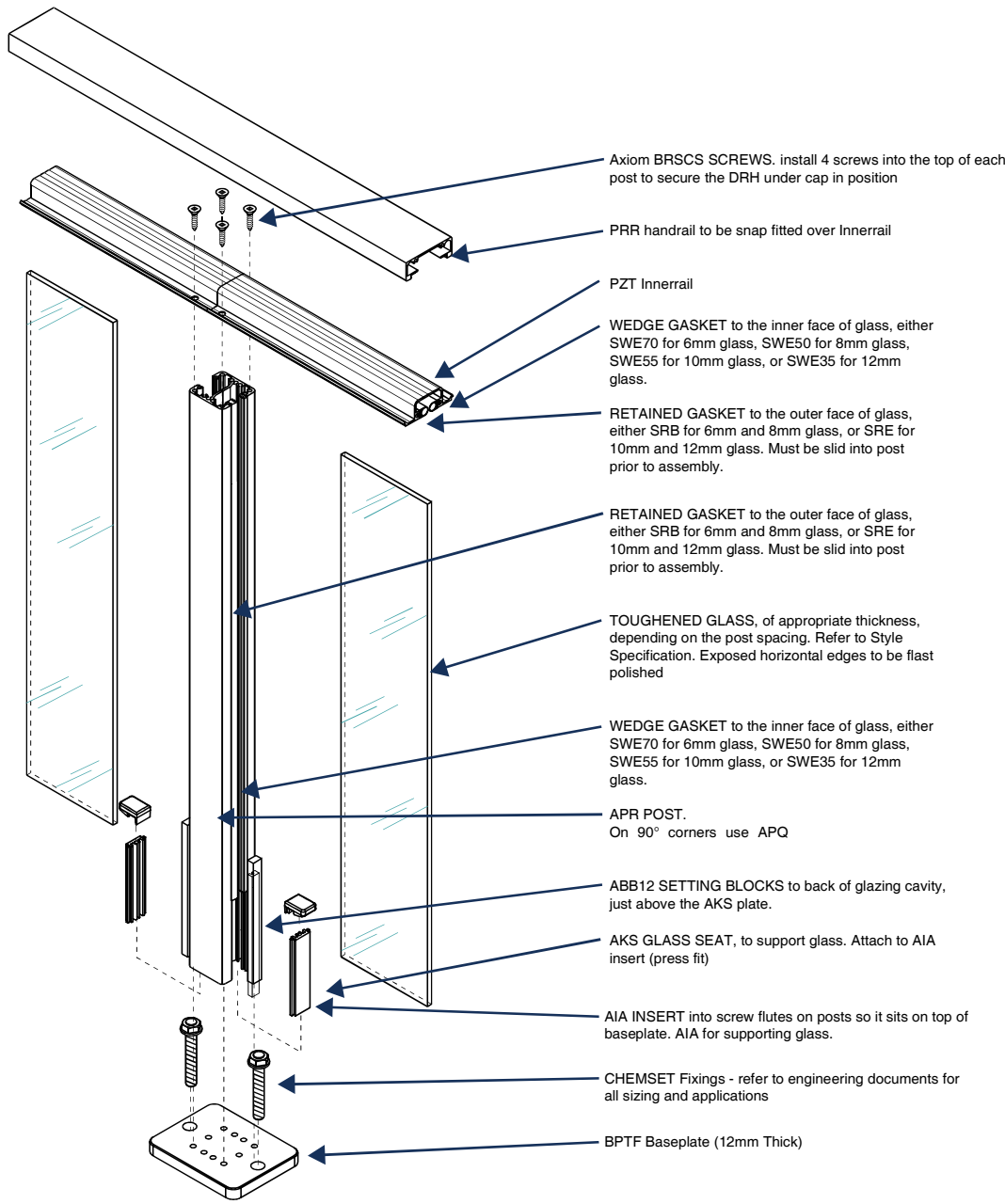
# Index

Disclaimer_____	3
SD12-01 Assembly_____	4
SD12-01 Baseplate Connecion_____	5
SD12-02 Assembly_____	6
SD12-02 Baseplate Connecion_____	7
SD12-03 Assembly_____	8
SD12-03 Baseplate Connecion_____	9
SD12-03 Assembly_____	10
SD12-03 Baseplate Connecion_____	11
Innerail connection_____	12
Glazing Rubber and Gaskets_____	13

---

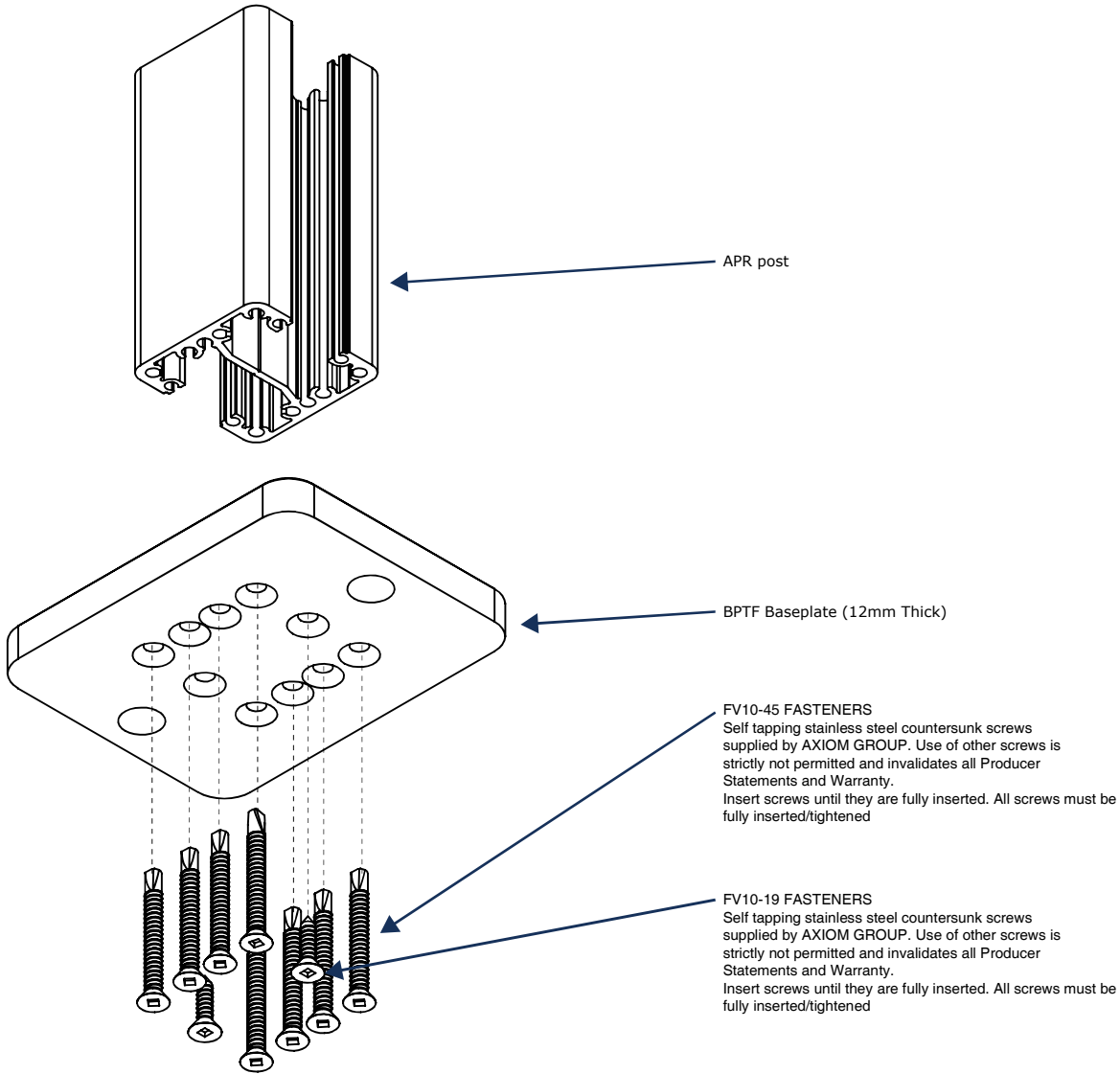
## Disclaimer and Important Notes

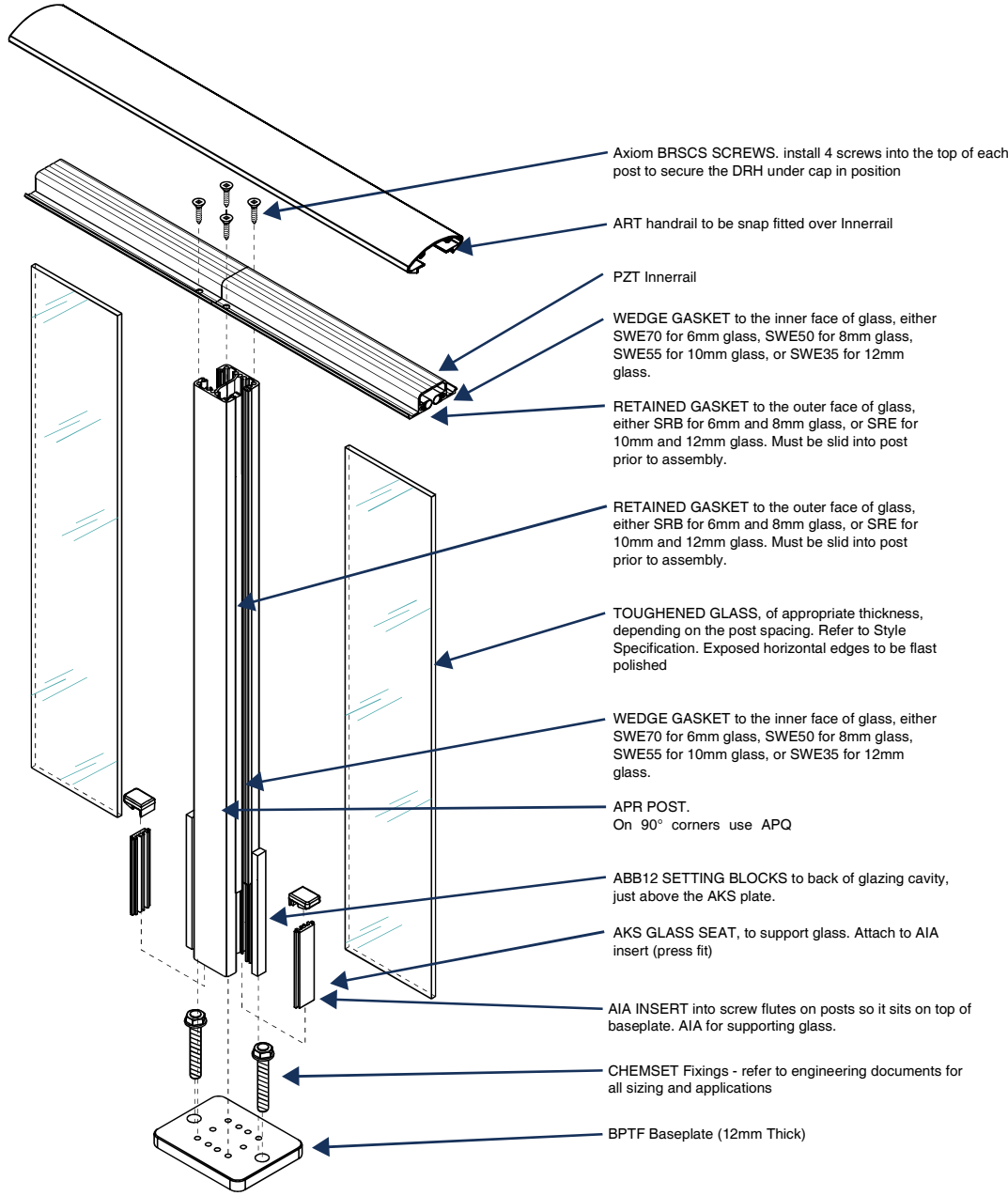
- (a) Except as provided in the Terms, all express and implied warranties, guarantees and conditions under statute or general law as to:
  - (i) merchantability, description, quality, suitability or fitness of the Goods or Services for any purpose; or
  - (ii) design, assembly, installation, materials, workmanship or otherwise,are expressly excluded.
- (b) Axiom is not liable for physical or financial injury, loss or damage or consequential loss or damage of any kind arising out of:
  - (i) the supply, layout, assembly, installation or operation of the Goods or Services; or
  - (ii) Axiom's negligence or other act or omission.
- (c) In addition to, and without in any way limiting, paragraphs (a) and (b) above, and notwithstanding that Axiom may provide engineering drawings, which (if it does) must be read in conjunction with Axiom's installation instructions:
  - (i) it is the Customer's responsibility to comply with all Australian laws, all Standards (including but not limited to AS1288 and AS1170.1), the Building Code and the requirements of all relevant authorities;
  - (ii) the Customer must ensure that any existing structures or substrates to which the Goods are being affixed to are verified by a project engineer as structurally suitable to safely support the Goods or any other items being affixed to the structures or substrates; and
  - (iii) the Customer must fully insert and tighten all fasteners (including but not limited to baseplate screws) before installation of the Goods.



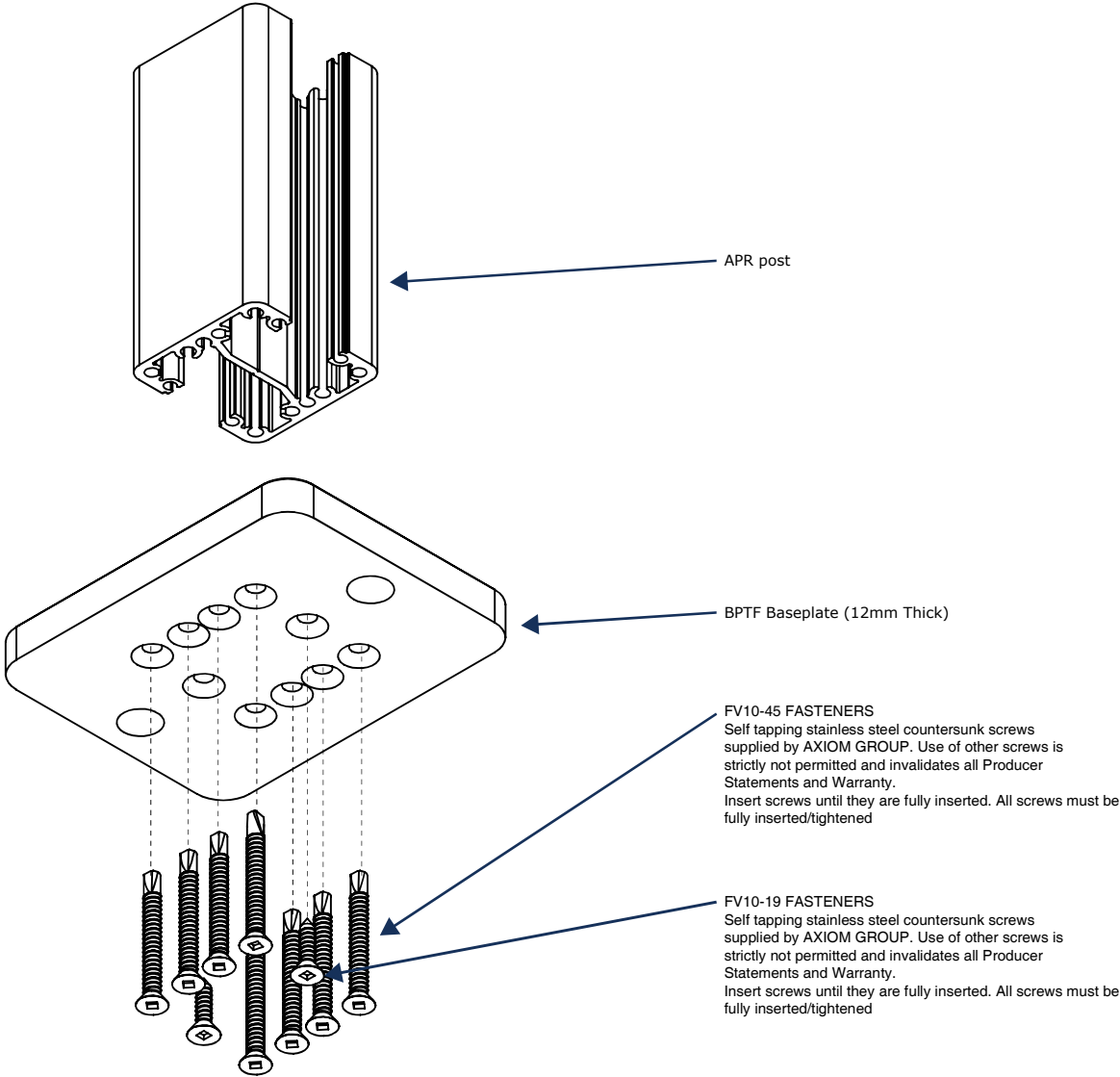
- Axiom BRSCS SCREWS. install 4 screws into the top of each post to secure the DRH under cap in position
- PRR handrail to be snap fitted over Innerrail
- PZT Innerrail
- WEDGE GASKET to the inner face of glass, either SWE70 for 6mm glass, SWE50 for 8mm glass, SWE55 for 10mm glass, or SWE35 for 12mm glass.
- RETAINED GASKET to the outer face of glass, either SRB for 6mm and 8mm glass, or SRE for 10mm and 12mm glass. Must be slid into post prior to assembly.
- RETAINED GASKET to the outer face of glass, either SRB for 6mm and 8mm glass, or SRE for 10mm and 12mm glass. Must be slid into post prior to assembly.
- TOUGHENED GLASS, of appropriate thickness, depending on the post spacing. Refer to Style Specification. Exposed horizontal edges to be flast polished
- WEDGE GASKET to the inner face of glass, either SWE70 for 6mm glass, SWE50 for 8mm glass, SWE55 for 10mm glass, or SWE35 for 12mm glass.
- APR POST.  
On 90° corners use APQ
- ABB12 SETTING BLOCKS to back of glazing cavity, just above the AKS plate.
- AKS GLASS SEAT, to support glass. Attach to AIA insert (press fit)
- AIA INSERT into screw flutes on posts so it sits on top of baseplate. AIA for supporting glass.
- CHEMSET Fixings - refer to engineering documents for all sizing and applications
- BPTF Baseplate (12mm Thick)

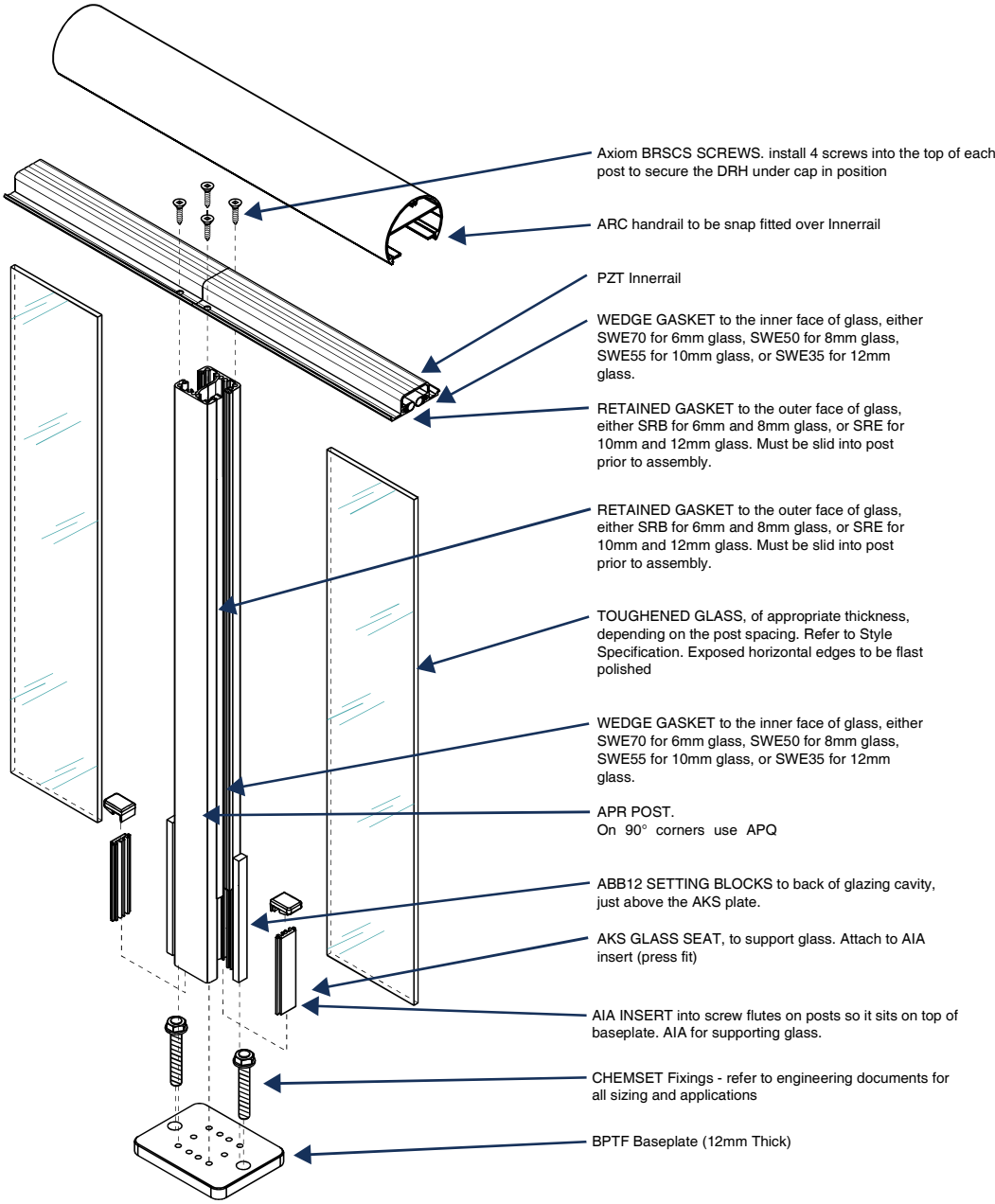
# Neo (SD12-01) Baseplate connection





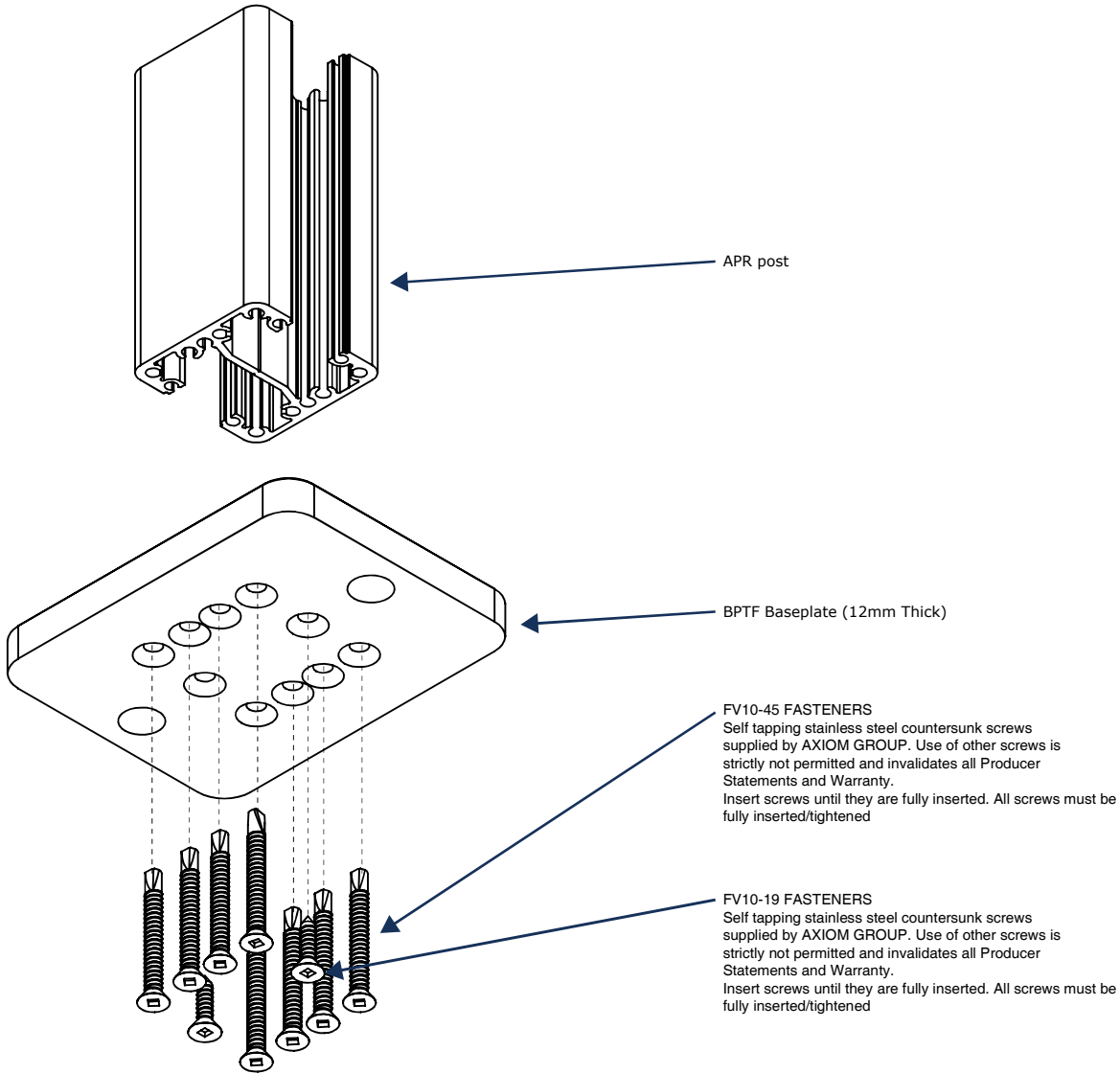
# Neo (SD12-02) Baseplate connection

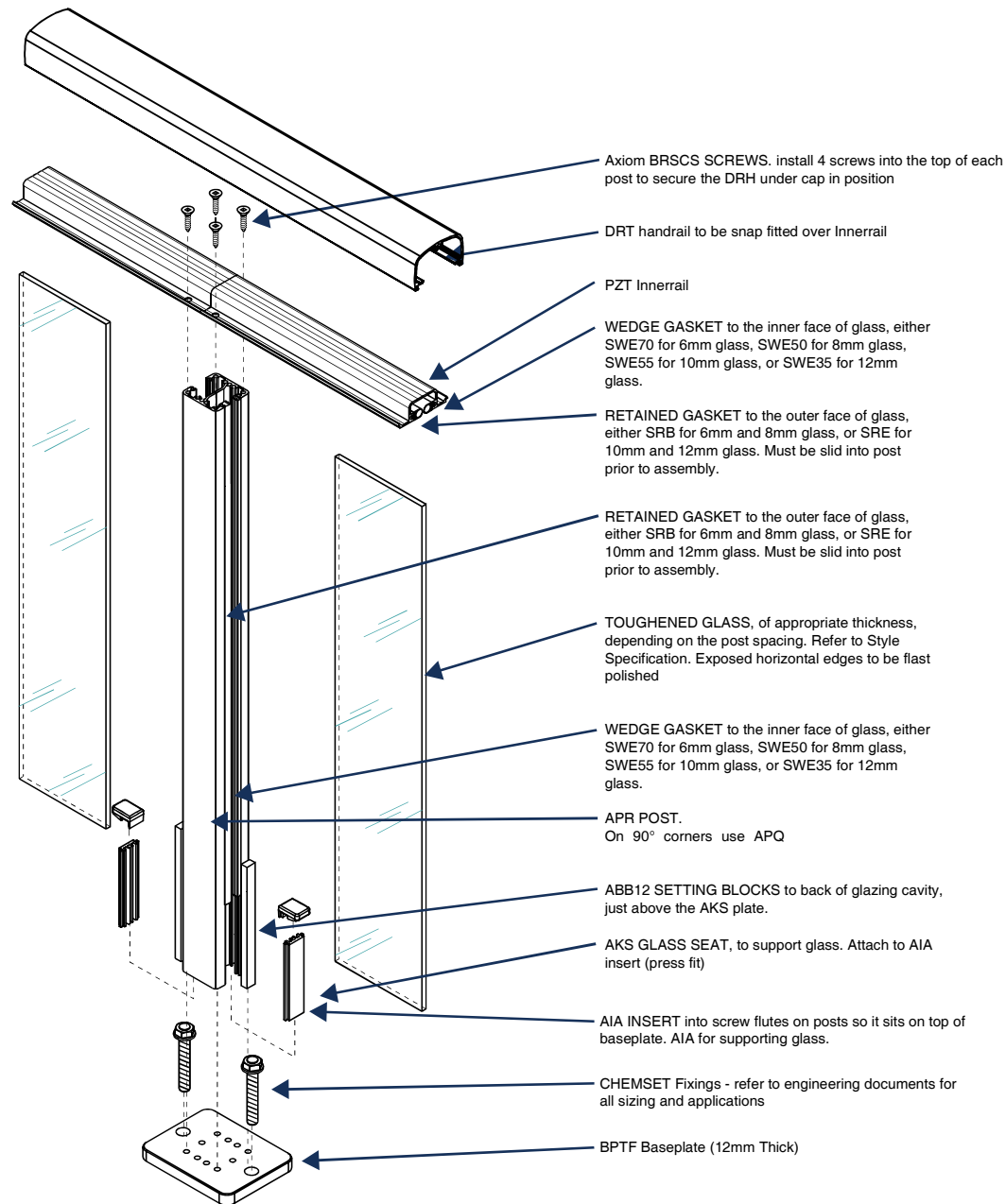




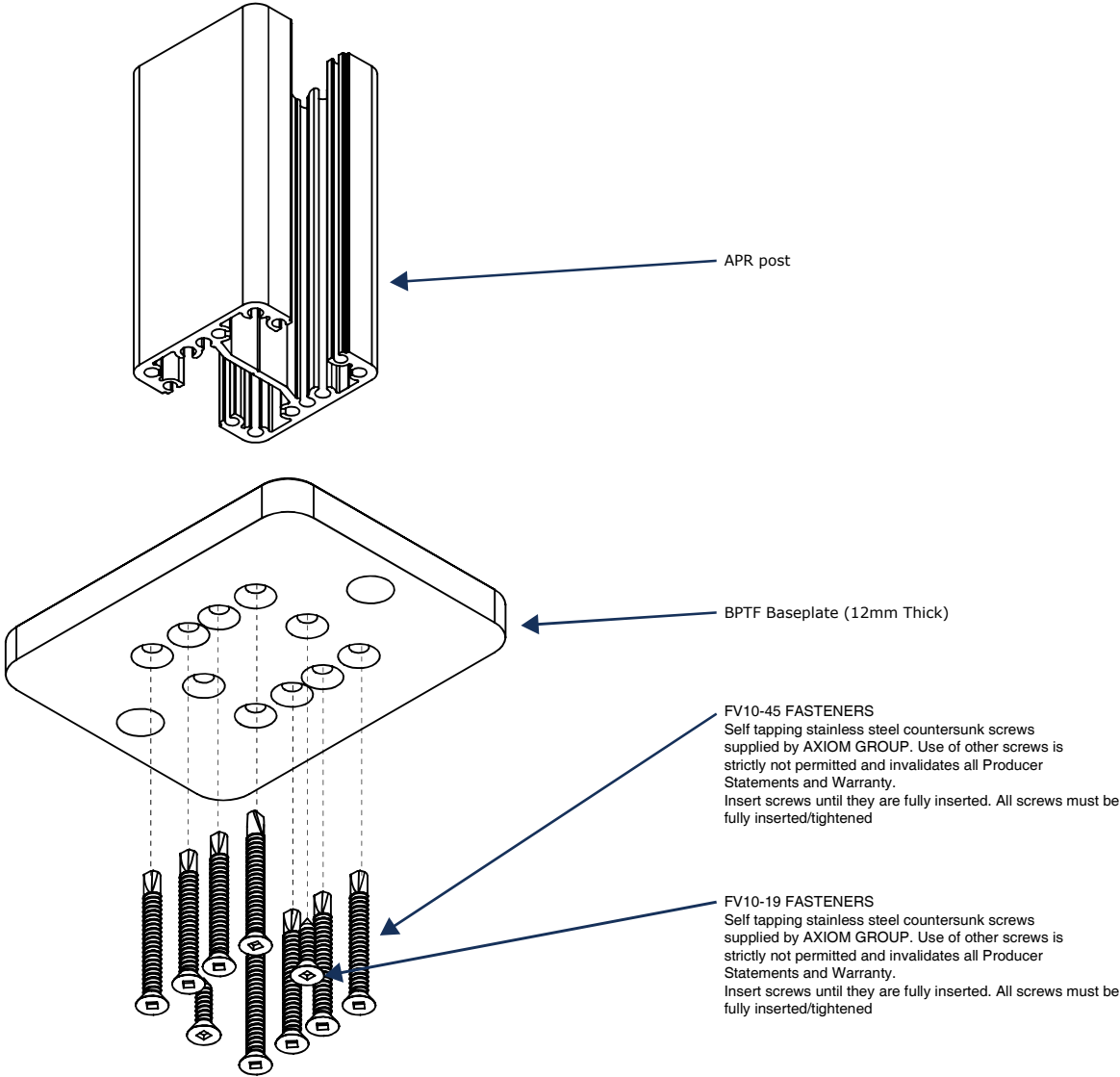


# Neo (SD12-03) Baseplate connection





# Neo (SD12-04) Baseplate connection



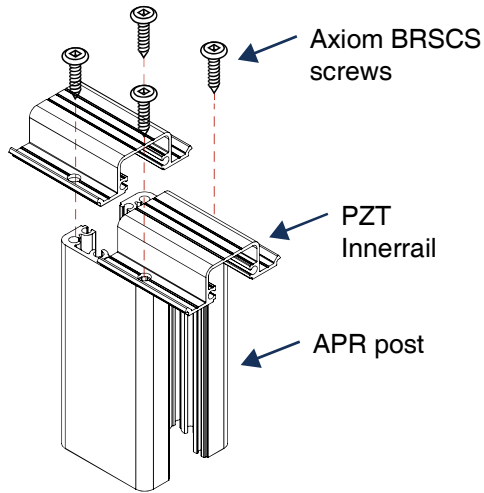


FIG. 1

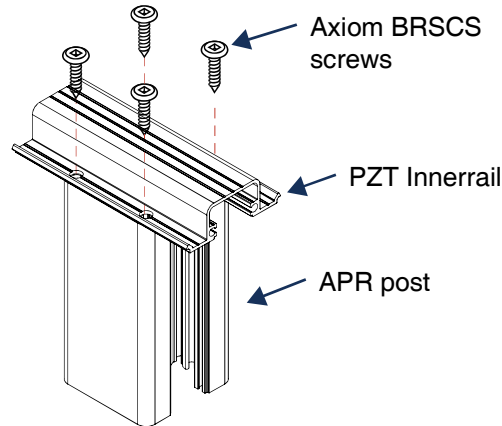


FIG. 1

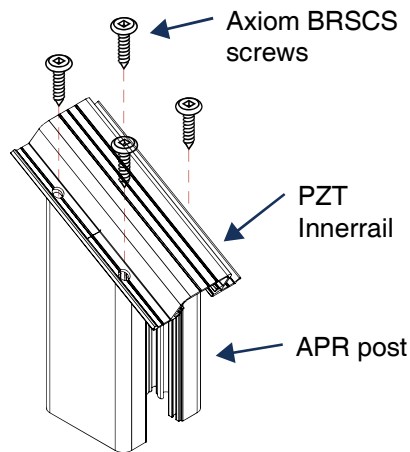


FIG. 3

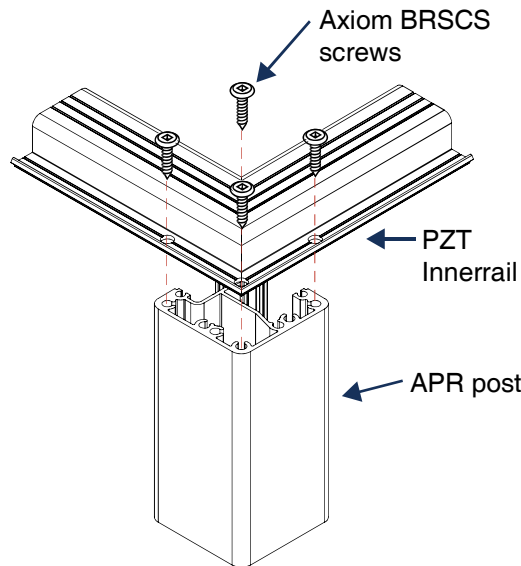


FIG. 2(A)

FIG 1. CONNECTION TO IN-LINE POSTS

BRSCS screws required, 4 per post. 5.5mm Ø fixing holes to be drilled on the outer groove lines of the Inner Rail. See Fig 1 which illustrates use with both continuous and non continuous Inner Rails.

FIG 2. CONNECTION CORNER POSTS

The Inner Rail is mitred over the post, to the desired angle. BRSCS screws required, 2 per rail end. 5.5mm Ø fixing holes to be drilled on the Inner Rail centreline. Fig 2 shows a typical arrangement.

FIG 3. CONNECTION OF SLOPING RAILS TO POST

BRSCS screws required, 4 per posts on the outer groove lines of the Inner Rail. Drill 5.5mm Ø fixing holes at the correct angle to the rail. Fig 3 shows a typical arrangement.

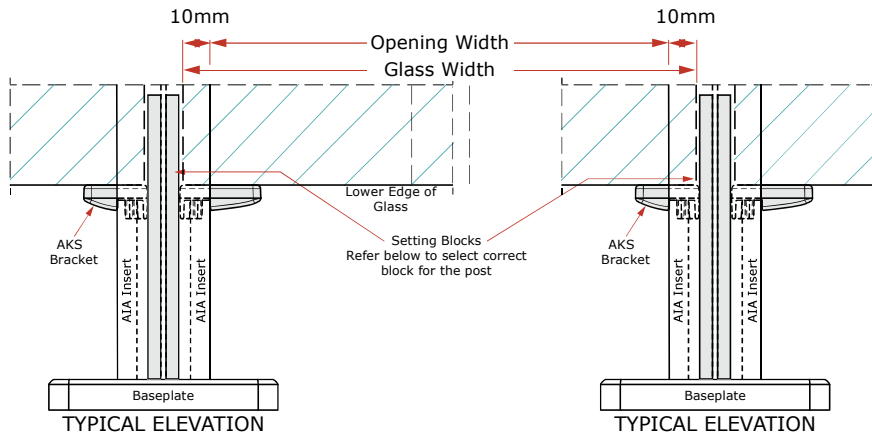
Insert screws until they are fully inserted. All screws must be fully inserted/tightened

## GLAZING

This section covers the measuring and Installation of the glass panes. Ensure the correct thickness of toughened glass is used.

### INSTALL GLASS

Glass is to be installed by shuffle glazing. Fit Setting block within the post to ensure glass is blocked in accordance with AS1288 and can not dislodge



## RETAINED GLAZING GASKET

Install the correct retained glazing gasket. Refer table below.

Glazing Gasket Guide		
Glass Thickness	External Rubber	Internal Rubber
6mm	SRB	SWE70
10mm	SRE	SWE55
12mm	SRE	SWE35

